

**ex - Proportional Pressure
Control Direct –
ex-PPCD 06**






Thomas
Driven by magnetics

Housing:	Brass
Cable:	NSSNÖU-O 2x1,5mm ² ; Length: 1-10m; Colour: yellow
Ambient temperature:	-20°C to +60°C
Internal Diode:	1.5KE68CA
Internal motor switch protection:	E4A00110C,(Irreversible Thermo fuse)
Grounding Connection:	up to 4mm ²

A diode for protection against switch-off overvoltage must be connected parallel to each proportional solenoid.
A fuse corresponding to its rating current has to be connected in series to each solenoid.

Test Certificate: TÜV 07 ATEX 7425 X

Marking: CE0035  II 2G Ex mb II T4
CE0035  II 2D Ex mbD 21 T130 °C
CE0035  I M2 Ex mb I

For further particulars and possibilities of use beyond indicated operation limits please contact:

Thomas Magnete GmbH

San Fernando 35

57562 Herdorf

Tel.:

+49(0)2744 929-0

Fax:

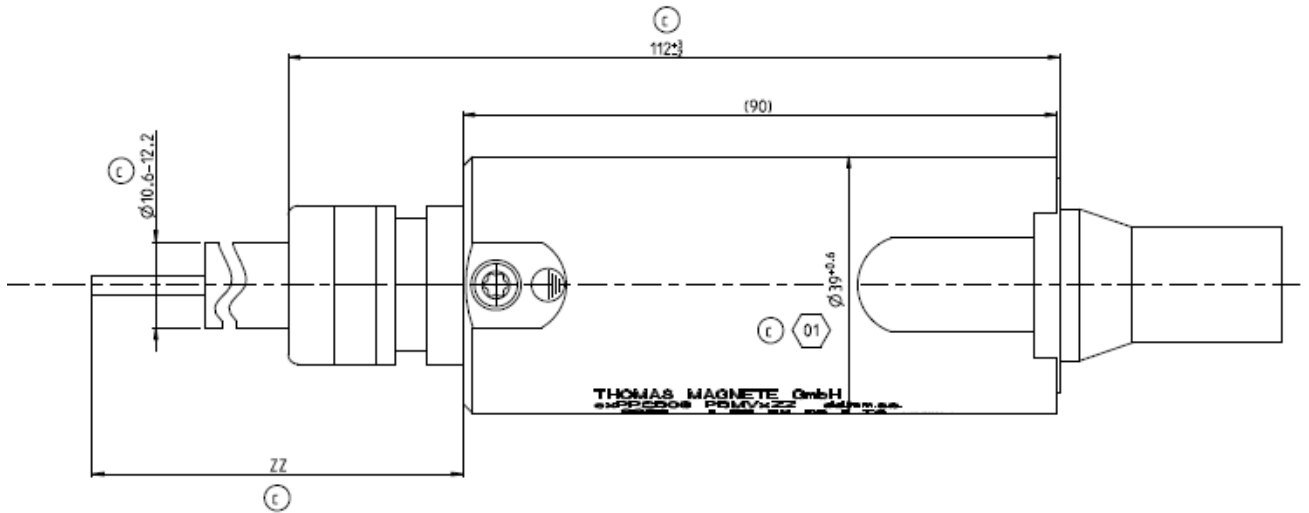
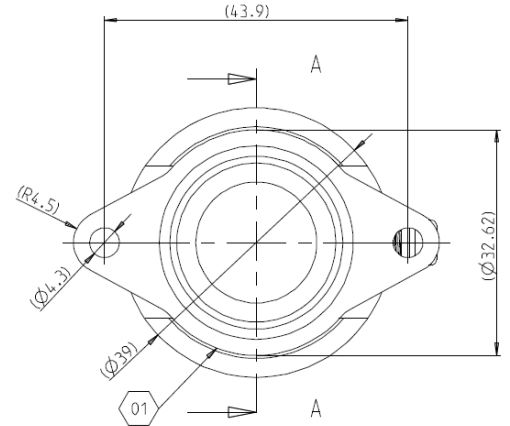
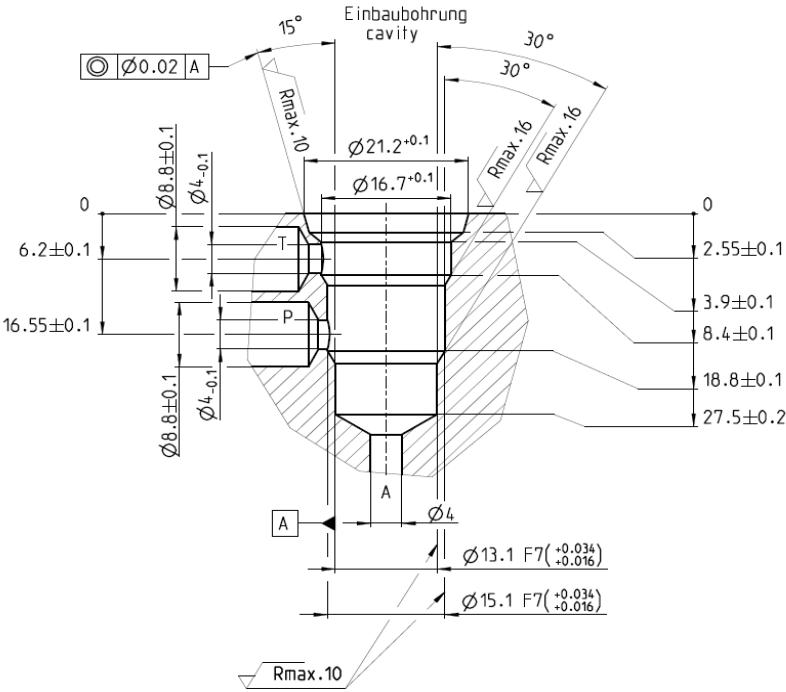
+49(0)2744 929-290

www.thomas-magnete.com

info@thomas-magnete.com

Subject to modifications

ex - Proportional Pressure Control Direct – ex-PPCD 06



Dimensions with AMP-Connector

For further particulars and possibilities of use beyond indicated operation limits please contact:

Thomas Magnete GmbH

San Fernando 35

57562 Herdorf

Tel.:

+49(0)2744 929-0

Fax:

+49(0)2744 929-290

www.thomas-magnete.com

info@thomas-magnete.com

Subject to modifications