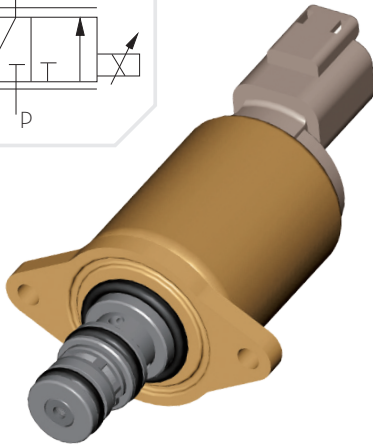
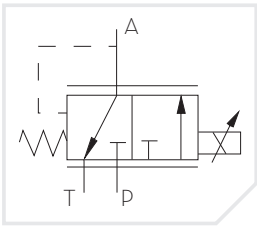


Proportional Pressure Reducing Valve PPCD04-PPRV

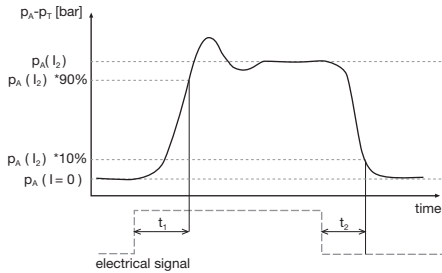


Model Code

PPCD 04	-001	-b	-c	-20	-12	-J	-H	-0
Valve Style	Special Version Upon Request	Solenoid Type	Cavity Type	Control Pressure Range: 20 bar; 25 bar; 32 bar	Voltage: 12V; 24V	Termination: J AMP Jr Power Timer	Seal Material: N NBR; H H-NBR; F FKM	Manual Override: 0 without; M with (only w/ connector type J)

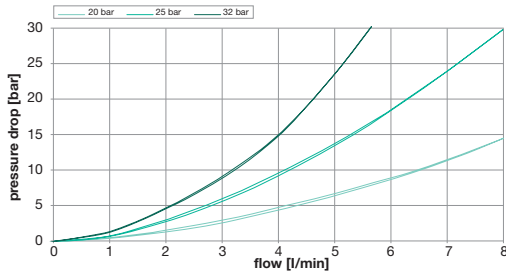
Step Response

(50°C Oil Temperature) $t_r, t_z < 50$ ms

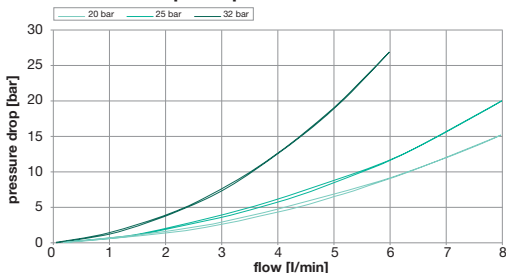


Flow Characteristics

Pressure Drop Control Port to Tank



Pressure Drop Pump to Control Port



Features

Features	Benefits
Integrated Relief Function	Protection Against Pressure Spikes
Compact Dimensions	Reduced Packaging Dimensions
Low Leakage	Lower Energy Losses
Precise Current vs Pressure Control	Excellent Controllability
Teflon Coated Bronze Bearings	Small Hysteresis, Improved Resolution
Excellent Repeatability	No Calibration Over The Lifetime of The Machine
Highest Quality Standards	No Maintenance, No Downtime
Small Valve to Valve Variance	Easy Replacement, No Service Calibration

Hydraulic Data

Max Pressure (P, T)	pP = 50 bar, pT = 30 bar
Hysteresis (w/ PWM)	< 0.7 bar (pA=20) < 1.0 bar (pA=25) < 1.5 bar (pA=35)
Filter Screen	125 µm
Contamination Level	Min Filtration: 20/18/15 According to ISO 4406
Fluid	Mineral Oil According to DIN 51524
Temperature Range Fluid	-40 to +105°C
Valve Specifications According to Thomas LHP-31	

Electrical Data

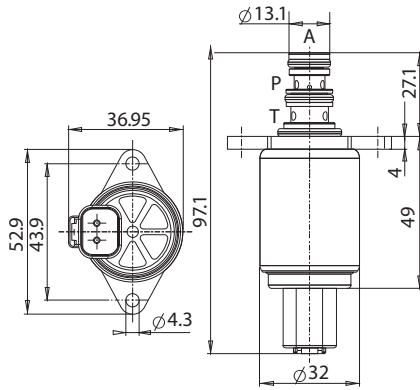
Voltage	12V	24V
Current	1500 mA	750 mA
Resistance	5.3 Ω ± 5%	21.2 Ω ± 5%
Type of Control	Current Control PWM 100 Hz Recommended	
Connector	AMP Junior Timer Deutsch Connector DT04-2P	
Protection Class	Up to IP6K6 / IPX9K	

Proportional Pressure Reducing Valve PPCD04-PPRV

Current vs. Pressure
Less than 2% Hysteris

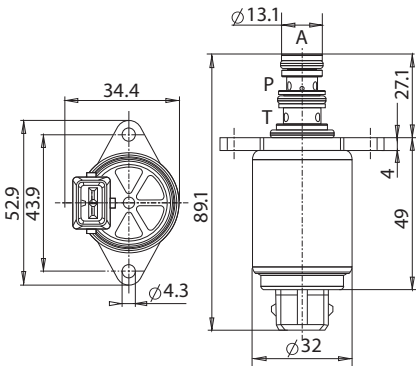
Dimensions with Deutsch Connector

(All dimensions are in mm)

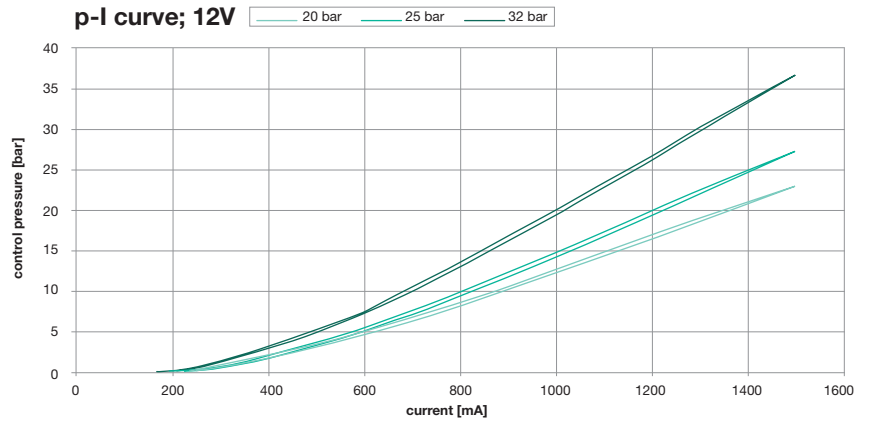


Dimensions with AMP Jr. Connector

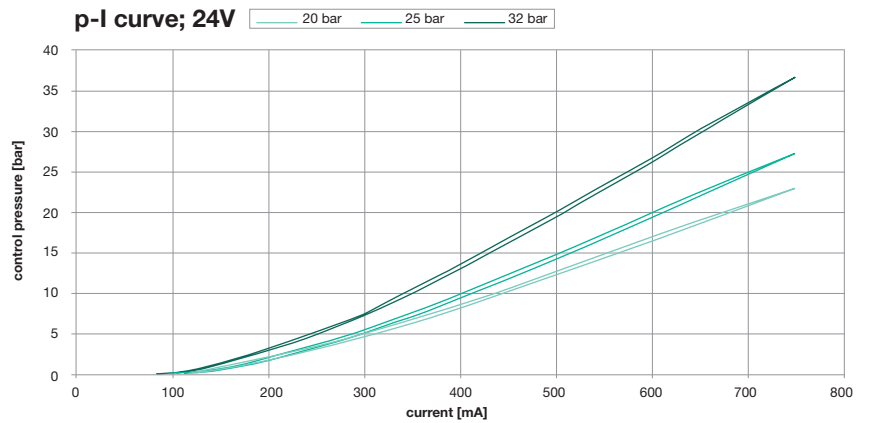
(All dimensions are in mm)



p-I curve; 12V



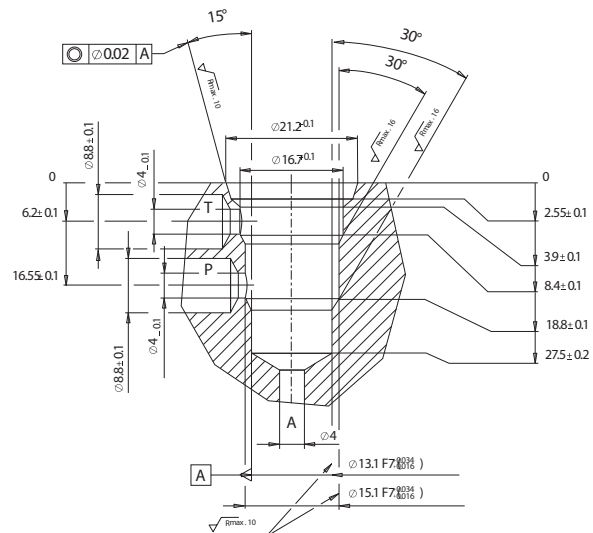
p-I curve; 24V



Cavity Dimensions

(All dimensions are in mm)

Cavity According Specification: TC06023
Cavity Tool part #: 448152-LT



Thomas Magnete GmbH
San Fernando 35
57562 Herdorf
Deutschland

Tel. +49 (0) 2744 929 0
Fax +49 (0) 2744 929 290

www.thomas-magnete.com
info@thomas-magnete.com