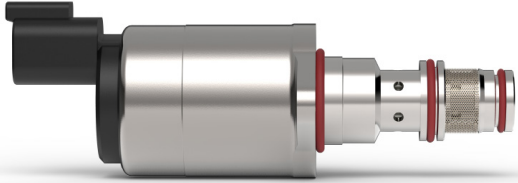
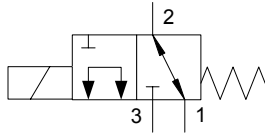
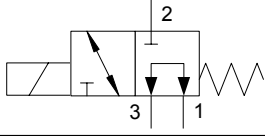
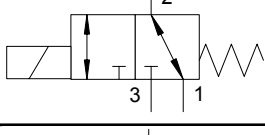
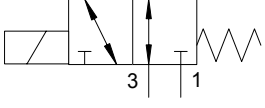


# Directional Valve - DCSD 06 On/Off Valve



## Model Code

DCSD 06	-003	-g	-o	-24	-D	-N	-0	-m		
Valve Style	Special Version up on request	Solenoid Type	Cavity Type	Voltage: 12V; 24V	Connector J.: AMP Junior Timer N.: NBR; H.: HNBR; F.: FKM	Sealing Material	Manual Override: (only with connector type J)	Spool Type		

Symbol	Spool Type
j	
k	
l	
m	

## Hydraulic Data

Max Pressure	p2 = 90 bar, p3 = 90 bar, p1 = 50 bar
Pressure Drop 2 -> 1	< 5 bar at 16 l/min
Pressure Drop 1 -> 3	< 5 bar at 16 l/min
Contamination Level	Min Filtration: 20/18/15 According to ISO 4406
Fluid	Mineral Oil According to DIN 51524
Temperature Range Fluid	-30 to + 105°C
Leakage	< 100 ml/min at 90 bar < 60 ml /min at 50 bar
Valve specification	according to Thomas LHP 80

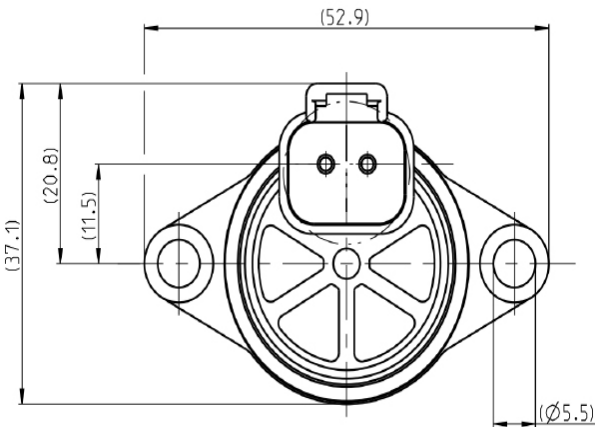
## Electrical Data

Voltage	12V	24V
Power Voltage Range	9V - 16V	18V - 32V
Connector	5,3 Ω ± 5%	21,2 Ω ± 5%
Connector	AMP Junior Timer Deutsch Connector DT04-2P	
Protection class	up to IP6K6 / IPX7 / IPX9K	

## Directional Valve - DCSD 06 On/Off Valve

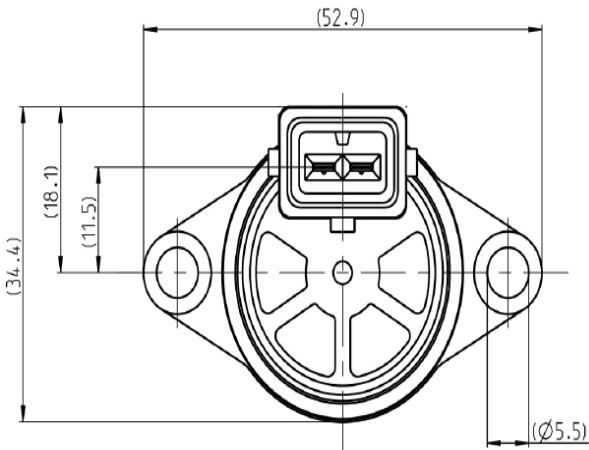
### Dimensions with Deutsch Connector

(All dimensions in mm)



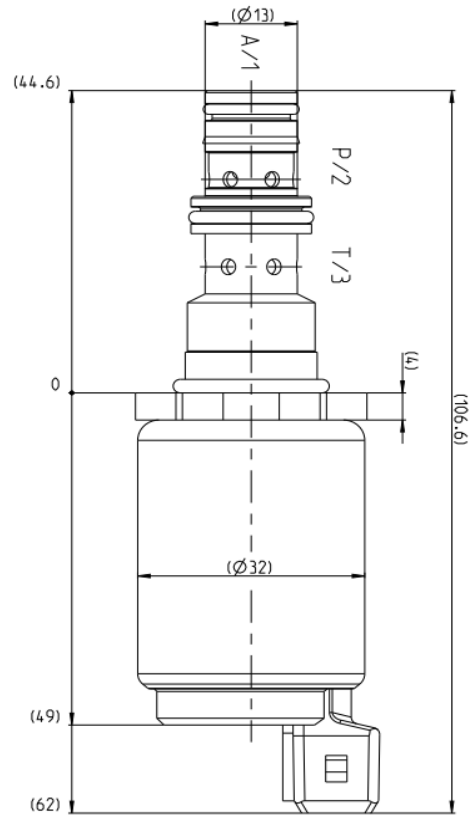
### Dimensions with AMP Jr. Connector

(All dimensions in mm)



### Dimensions

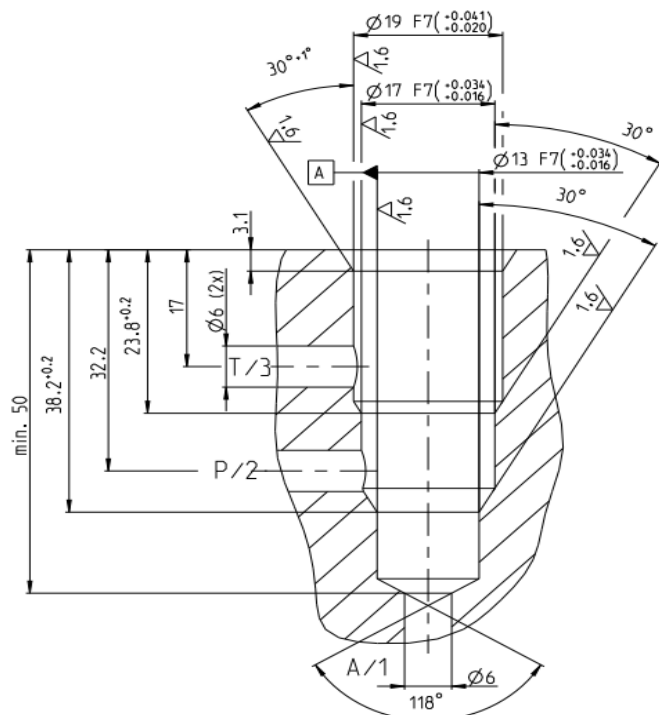
(All dimensions in mm)



### Cavity Dimensions

(All dimensions in mm)

Cavity According Specification: TC06073



Thomas Magnete GmbH  
San Fernando 35  
57562 Herdorf, Germany

Tel . +49 (0) 2744 929 0  
Fax +49 (0) 2744 929 290

www.thomas-magnete.com  
info@thomas-magnete.com



The presented information is based on current knowledge and provides only non-binding information to the customer. Any liability in connection with this information is excluded. It is the responsibility of the customer to determine the suitability and appropriateness of the product for his intended purpose. We reserve the right to change the product with regard to technical progress and new developments.