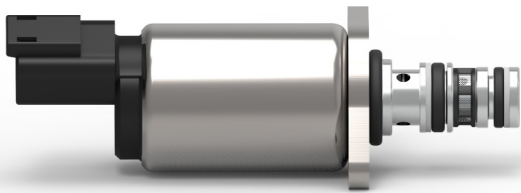
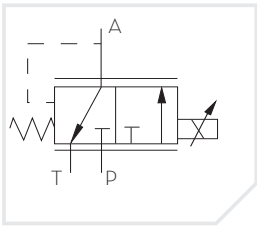


High Pressure Proportional Pressure Reducing Valve PPCD04-HPPPRV

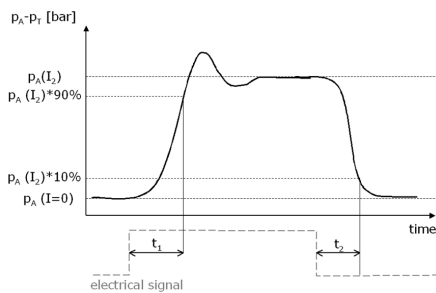


Model Code

| | | | | | | | | |
|-------------------------------|------------------------------------------------|----|----|-----|-----|----|----|----|
| PPCD 04 | -002 | -b | -d | -20 | -12 | -J | -H | -0 |
| Valve Style | | | | | | | | |
| Solenoid Type | | | | | | | | |
| Cavity Type | | | | | | | | |
| Special Version up on request | | | | | | | | |
| Control Pressure Range: | 20 bar: 32 bar | | | | | | | |
| Voltage: | 12V; 24V | | | | | | | |
| Connector: | J AMP Jr Power Timer | | | | | | | |
| Seal Material: | D HNBR; F FKM | | | | | | | |
| Manual Override: | 0 without; M with (only with connector type J) | | | | | | | |

Step Response

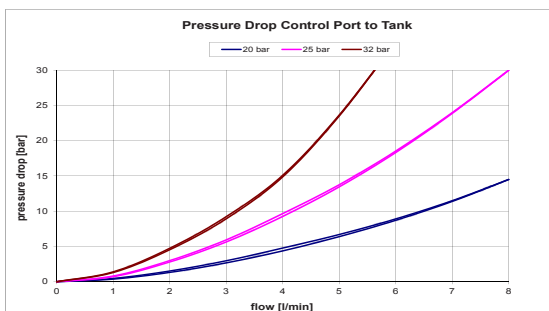
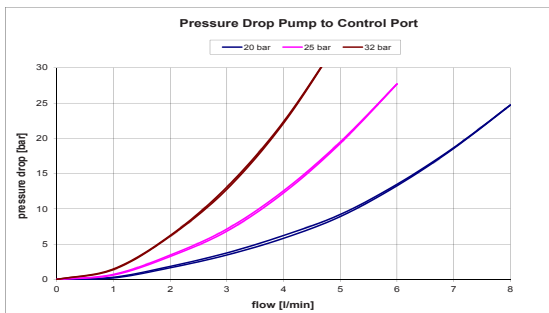
(50°C Oil Temperature) $t_1, t_2 < 50$ ms



Hydraulic Data

| | |
|-------------------------------------------------|-------------------------------------------------------------|
| Max Pressure (P, T) | pP = 350 bar, pT = 30 bar |
| Hysteresis (w/ PWM) | < 0.4 bar (pA=20) < 0.5 bar (pA=25) < 0.7 bar (pA=35) |
| Filter Screen | 125 μ m |
| Contamination Level | Min Filtration: 20/18/15 According to ISO 4406 |
| Fluid | Mineral Oil According to DIN 51524 |
| Temperature Range Fluid | -40 to +105°C |
| Valve Specifications According to Thomas LHP-24 | |

Flow Characteristics



Electrical Data

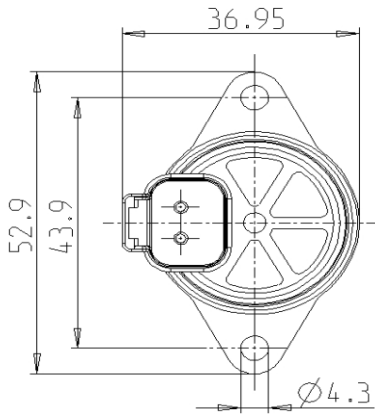
| | | |
|------------------|-----------------------------------------------|-------------------|
| Norm. Voltage | 12V | 24V |
| Current | 1500 mA | 750 mA |
| Resistance | 5.3 Ohm \pm 5% | 21.2 Ohm \pm 5% |
| Type of Control | Current Control PWM 100 Hz Recommended | |
| Connector | AMP Junior Timer Deutsch Connector DT04-2P | |
| Protection class | Up to IP6K6 / IPX9K | |

High Pressure Proportional Pressure Reducing Valve PPCD04-HPPPRV

Current vs. Pressure
Less than 2% Hysterisis

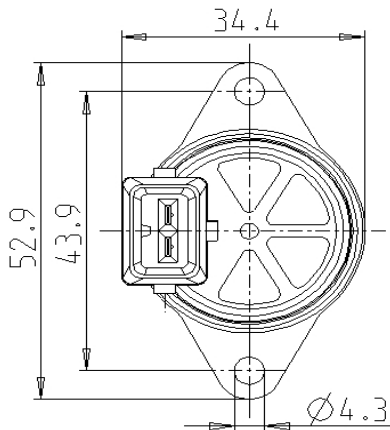
Dimensions with Deutsch Connector

(All dimensions in mm)

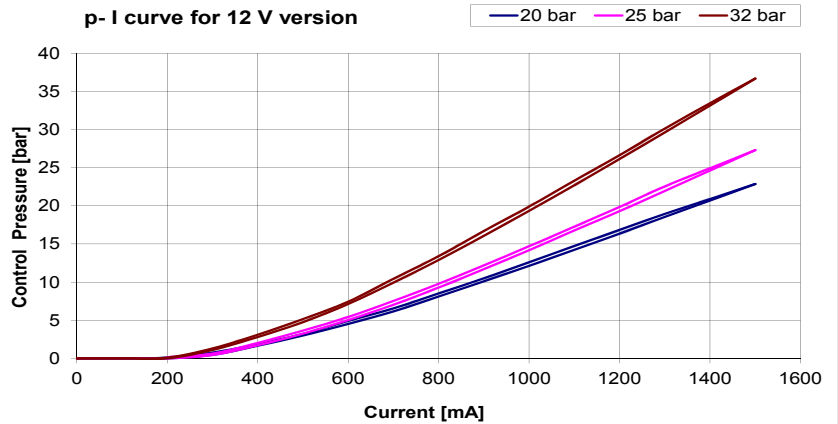


Dimensions with AMP Jr. Connector

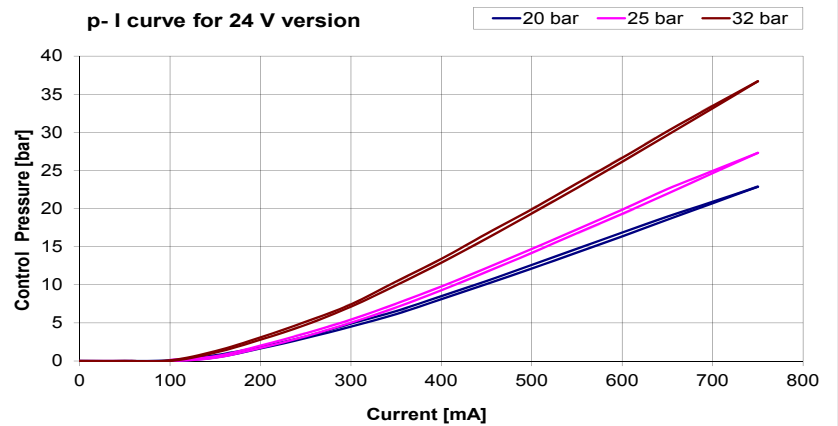
(All dimensions in mm)



p- I curve for 12 V version



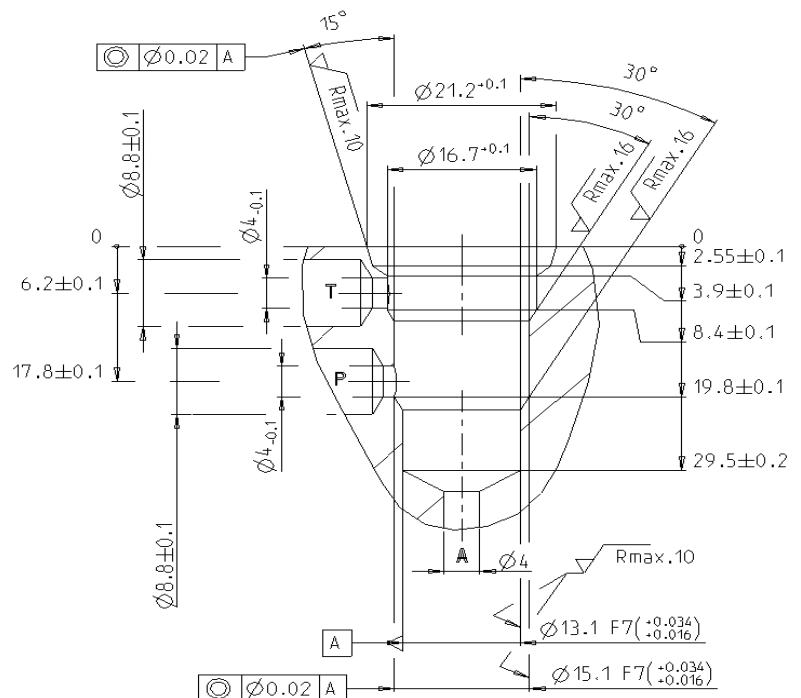
p- I curve for 24 V version



Cavity Dimensions

(All dimensions in mm)

Cavity According Specification: TC06024



Thomas Magnete GmbH
San Fernando 35, 57562 Herdorf
Germany

Tel . +49 (0) 2744 929 0
Fax +49 (0) 2744 929 290

www.thomas-magnete.com
info@thomas-magnete.com



The presented information is based on current knowledge and provides only non-binding information to the customer. Any liability in connection with this information is excluded. It is the responsibility of the customer to determine the suitability and appropriateness of the product for his intended purpose. We reserve the right to change the product with regard to technical progress and new developments.