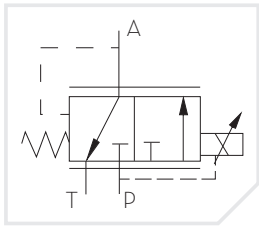


High Flow Proportional Pressure Regulator Valve PPCP09-HFPPRV

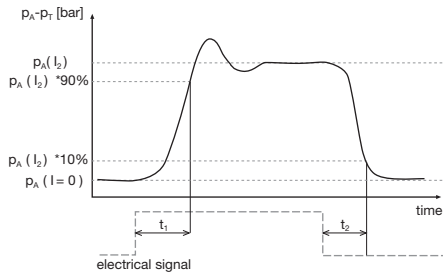


Model Code

PPCP 09	-001	-b	-h	-30	-12	-J	-H		
Valve Style	Special Version up on request	Solenoid Type	Cavity Type	Control Pressure Range: 33 bar; or 95% of Pp	Voltage: 12V; 24V	Connector: J AMP Jr Power Timer	Seal Material: N NBR; H F-NBR; F FKM		

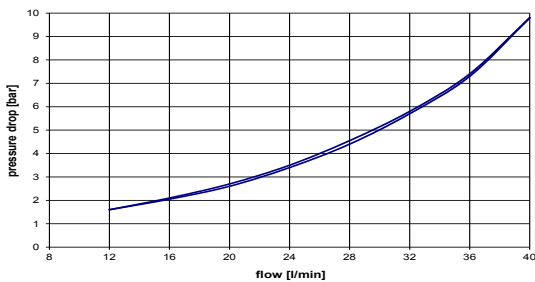
Step Response

(50°C Oil Temperature) $t_1, t_2 < 60$ ms

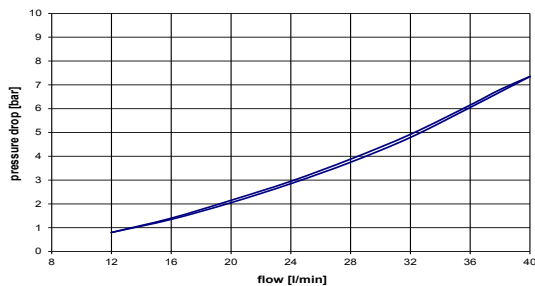


Flow Characteristics

Pressure Drop Pump to Control Port (P → A)



Pressure Drop Control Port to Tank (A → T)



Hydraulic Data

Max Pressure (P, T)	pP = 35 bar, pT = 10 bar
Hysteresis (w/ PWM)	< 1.5 bar
Filter Screen	125 μm
Contamination Level	Min Filtration: 18/15/13 According to ISO 4406
Fluid	Mineral Oil According to DIN 51524
Temperature Range Fluid	-40 to +105°C
Valve Specifications According to Thomas LHP-79	

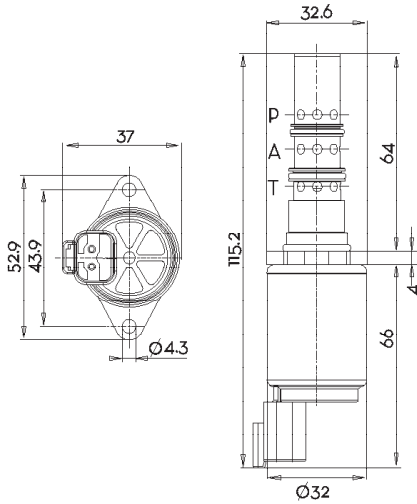
Electrical Data

Voltage	12V	24V
Current	1000 mA	500 mA
Resistance	7.7 Ω ± 5%	31 Ω ± 5%
Type of Control	Current Control PWM 600 Hz Recommended	
Connector	AMP Junior Timer Deutsch Connector DT04-2P	
Protection Class	Up to IP6K6 / IPX9K	

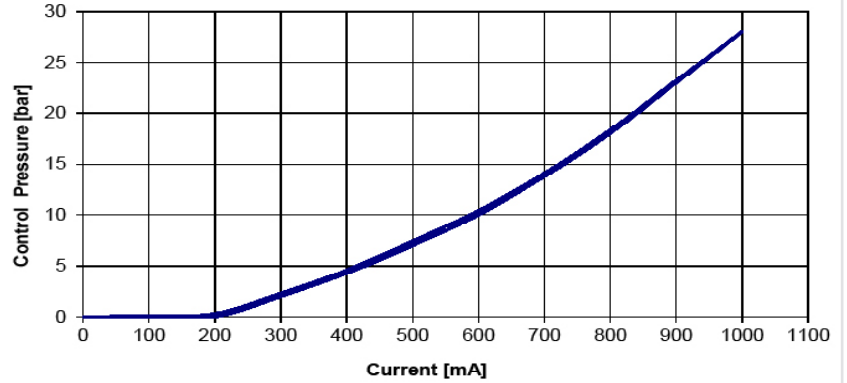
High Flow Proportional Pressure Reducing Valve PPCP09-HFPPRV

Current vs. Pressure

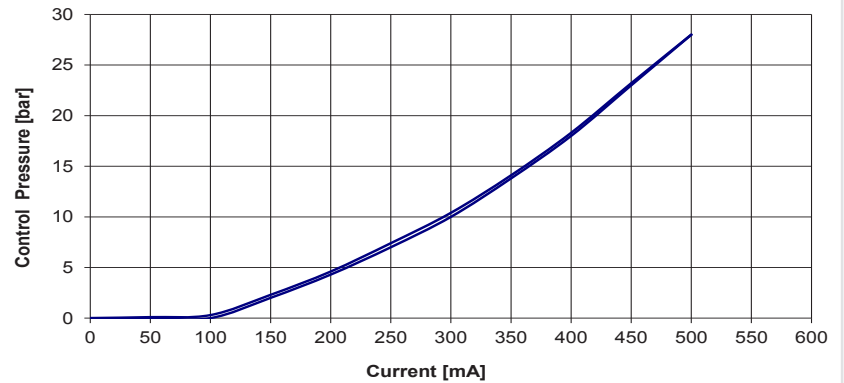
Dimensions with Deutsch Connector (All dimensions in mm)



p-I curve, Supply Pressure 32 bar (12 V)

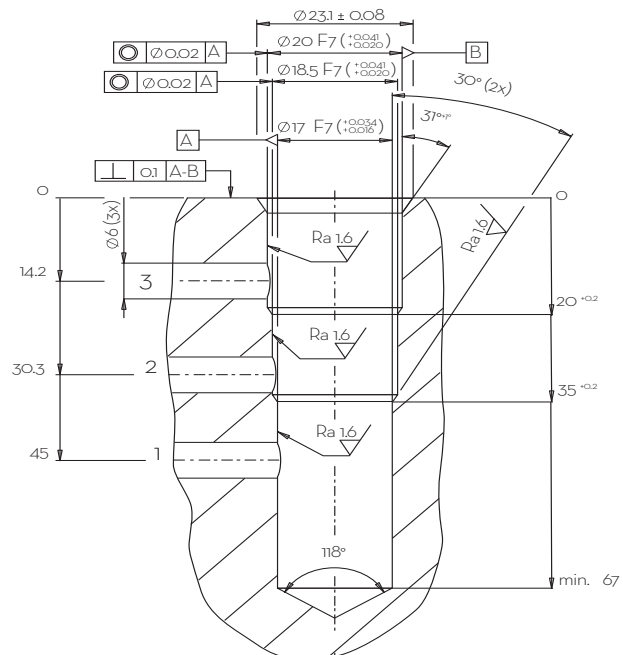


p-I curve; Supply Pressure 32 bar (24 V)



Cavity Dimensions (All dimensions in mm)

Cavity According Specification: TC09013



Thomas Magnete GmbH
San Fernando 35, 57562 Herdorf,
Germany

Tel . +49 (0) 2744 929 0
Fax +49 (0) 2744 929 290

www.thomas-magnete.com
info@thomas-magnete.com



The presented information is based on current knowledge and provides only non-binding information to the customer. Any liability in connection with this information is excluded. It is the responsibility of the customer to determine the suitability and appropriateness of the product for his intended purpose. We reserve the right to change the product with regard to technical progress and new developments.