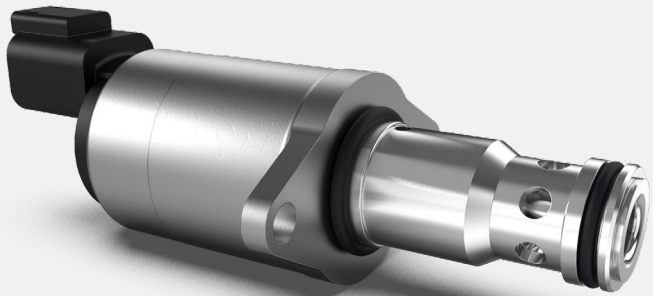


# Inverse Pressure Relief Valve [IPRV]



## PRODUCT CLASSIFICATION

Special designs

Proportional valves

Directional valves

Smart products

### Name

ATEX

IPH

**IPRV**

## HYDRAULIC DATA

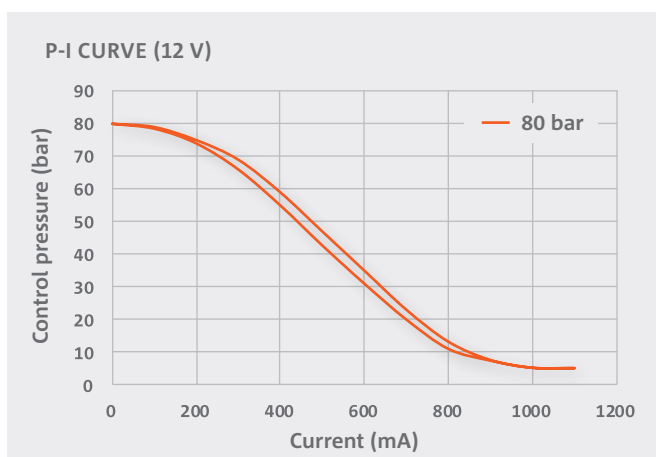
Max pressure pump	$P_p = 150$ bar
Max pressure tank	$P_T = 35$ bar
Nominell flow	40 l/min
Flow range	5 to 70 l/min
Hysteresis	Max. 8 bar
Contamination level	Min Filtration: 20/18/15 According to ISO 4406
Fluid	Mineral Oil According to DIN 51524
Temperature range fluid	-20°C to +90°C
Leakage (internal)	< 3 l/min (de-energized; @ a pump pressure ramp from 0 to 120 bar)
Filterscreen size	none

\* The reported data are measured @  $P_p=35$  bar and an oil viscosity of 32 cSt

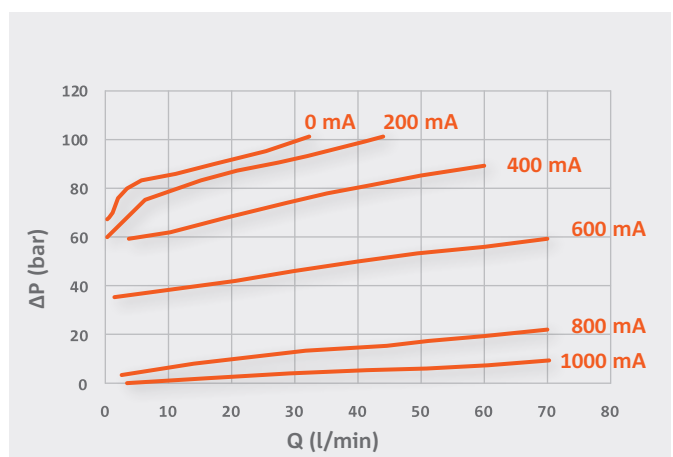
## ELECTRICAL DATA

Voltage	12 V	24 V
Voltage range	9 to 16 V	16 to 32 V
Resolution	1200 mA	600 mA
Resistance	$5,3 \Omega \pm 5\%$	$21,2 \Omega \pm 5\%$
Control signal (recommended)	Current control PWM 200 Hz recommended	
Connector	AMP Junior Timer Deutsch Connector DT04-2P	
Protection class	up to IP6K6 / IPX7	

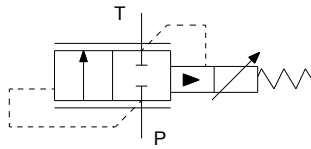
## CURRENT VS. PRESSURE (AVERAGE CHARACTERISTIC)



## FLOW CHARACTERISTICS (AVERAGE CHARACTERISTIC)



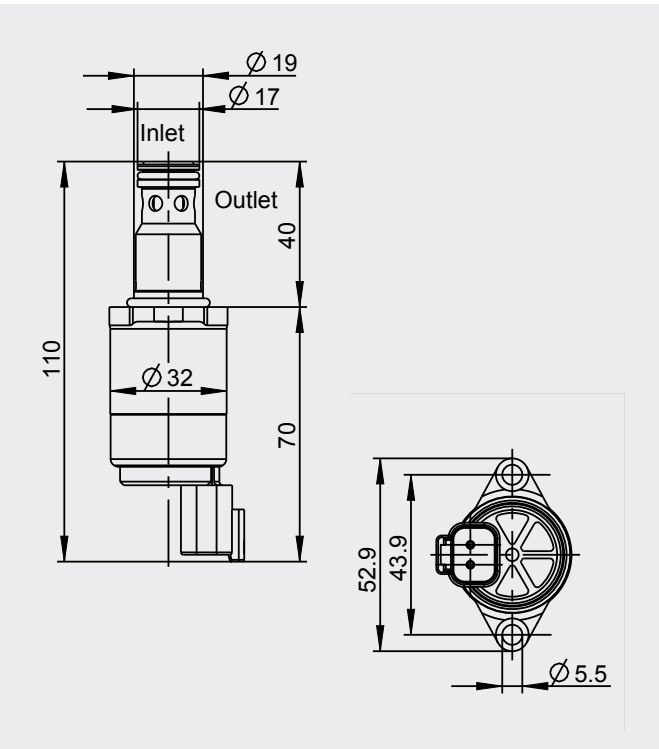
**HYDRAULIC SCHEMATIC**



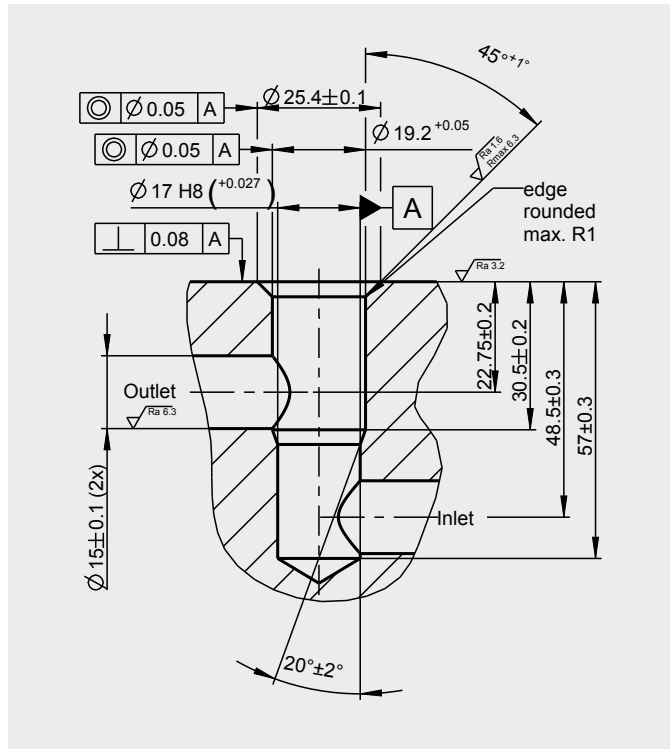
**ADDITIONAL DATA**

<b>Weight</b>	approx. 270 g
<b>Mounting position (recommended)</b>	any
<b>MTTF<sub>d</sub>-value</b>	150 years
<b>Reference</b>	Valve specifications according to Thomas LHP 85

**DIMENSIONS WITH DEUTSCH CONNECTOR (All dimensions in mm)**



**CAVITY DIMENSIONS (All dimensions in mm)**



**MODEL CODE**

IPRV	-010	-001	-g	-i	-85	-12	-D	-F
						-24		
Valve Style								
Size								
Version								
Solenoid type								
Cavity type								
Different pressure range: 85 bar								
Voltage: 12 V or 24 V								
Connector: Deutsch								
Seal material: FKM								

● Defined by Thomas  
● Customers choice

**CONTACT DETAILS**

**Michael Lutz**

**Thomas Magnete GmbH**

- ✉ Innomotion Park 3  
57562 Herdorf, Germany
- ☎ Tel. +49 2744 929-220
- 📧 michael.lutz@thomas-magnete.com  
www.thomas-group.com

**DISCLAIMER**

The presented information is based on current knowledge and provides only non-binding information to the customer. Any liability in connection with this information is excluded. It is the responsibility of the customer to determine the suitability and appropriateness of the product for his intended purpose. We reserve the right to change the product with regard to technical progress and new developments.