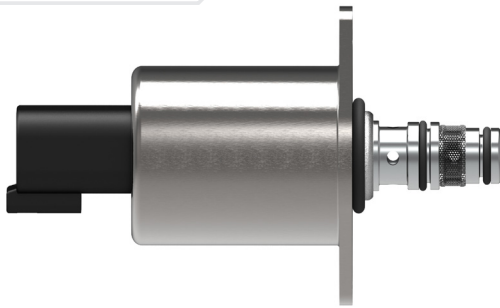
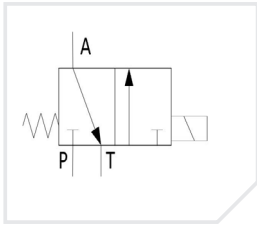


# Pilot Shut Off Valve DCSD 05

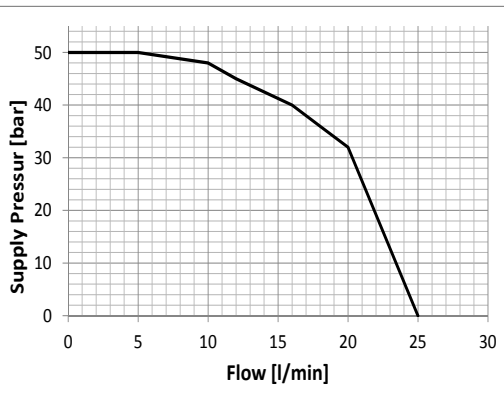


## Model Code

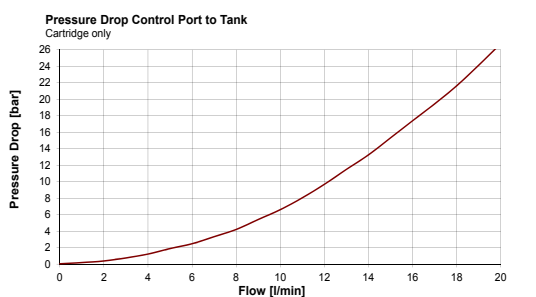
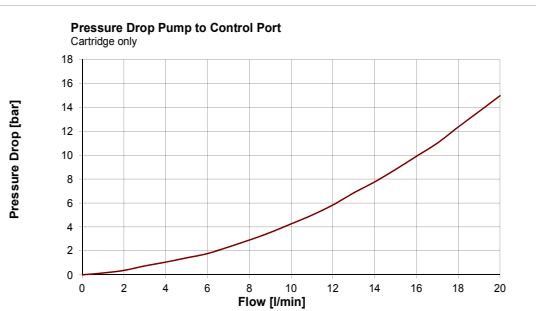
DCSD 05	-001	-a	-b	-12	-J	-H	-0
Valve Style	Special Version up on request	Solenoid Type	Cavity Type	Voltage: 12V; 24V	Connector D: Deutsch; J: AMP Junior Timer	Sealing Material N: NBR; H: HNBR; F:FKM	Manual Override: 0 without; M with (only with connector type J)

## Switching Limits at 1.0A (12V)

Flow from P to A



## Flow Characteristics



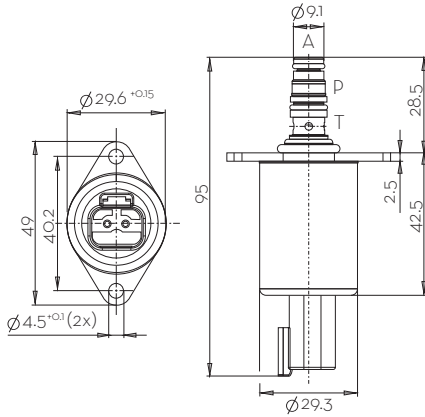
## Hydraulic Data

Max Pressure (P , T)	pP = 50bar , pT = 30bar	
Leakage (Pp = 35 bar) @ 32 cSt	P -> A : 50 ml/min A -> T : 50 ml/min	
Contamination Level	Min Filtration: 20/18/15 according to ISO 4406	
switching time (pP = 35bar Q=8l/min)	ton < 60 ms	toff < 100 ms
Fluid	Mineral oil according to DIN 51524	
Temperature Range Fluid	-30°C to 105°C	
Valve Specification according to Thomas LHP-84		

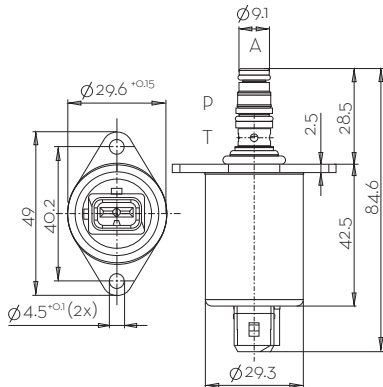
## Electrical Data

Voltage	12V	24V
Resistance at 20°C (DT04)	8.15 Ω ± 5%	32.5 Ω ± 5%
Resistance at 20°C (AMP)	4.72 Ω ± 5%	20.8 Ω ± 5%
Connector	AMP Junior Timer Deutsch Connector DT04-2P	
Protection Class	up to IP6K6 / IPX9K	
Conductor	Tinned copper strand UL 758 and CSA C 2.22 Material: CU-ETP1 acc. to DIN EN 13602:2002	
Insulation	Insulation: Soft-PVC, unleaded UL 1581-Tab. 50.182, Shore -hardness A	
Cable Length	500 mm	

## Dimensions with Deutsch Connector (All dimensions in mm)

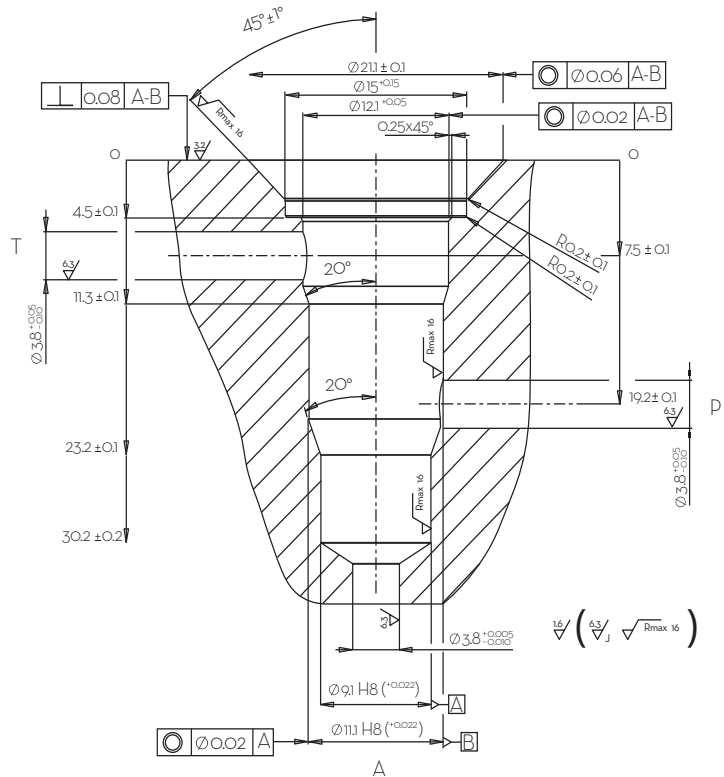


## Dimensions with AMP Jr. Connector (All dimensions in mm)



## Cavity Dimensions (All dimensions in mm)

Cavity According Specification: TC06025



Thomas Magnete GmbH  
San Fernando 35, 57562 Herdorf  
Germany

Tel . +49 (0) 2744 929 0  
Fax +49 (0) 2744 929 290

www.thomas-magnete.com  
info@thomas-magnete.com



The presented information is based on current knowledge and provides only non-binding information to the customer. Any liability in connection with this information is excluded. It is the responsibility of the customer to determine the suitability and appropriateness of the product for his intended purpose. We reserve the right to change the product with regard to technical progress and new developments.