

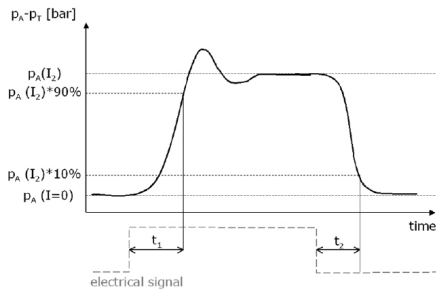
ex-Proportional Pressure Control Direct ATEX/IECEX-PPCD 04

Model Code

ex-PPCD	-04	-xx3	-02	-F	-25	-12	-C		
Valve Style	Size	Cavity	Type Cable length [m]: 02; 05; 10	Sealing material F-FKM	Pressure Range 20 bar; 25 bar; 32 bar	Voltage 12V; 24V	Cable NSSHÖU-O 2*1,5 mm ²		

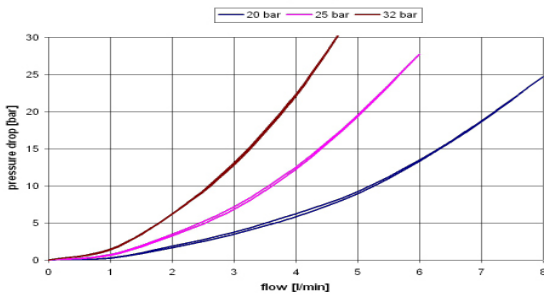
Step Response

(50°C Oil Temperature) $t_1, t_2 < 50$ ms

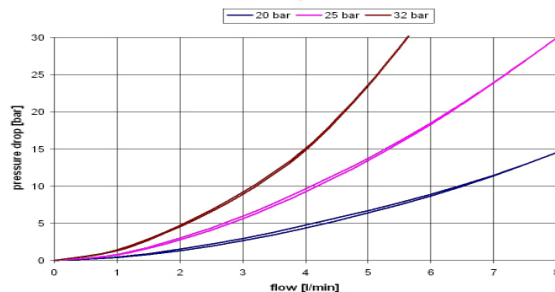


Flow Characteristics

Pressure Drop Pump to Control Port



Pressure Drop Control Port to Tank



Hydraulic Data

Max Pressure (P, T)	pP = 50bar, pT = 30bar
Hysteresis	< 0.4 bar (pA=20) < 0.5 bar (pA=25) < 0.7 bar (pA=35)
Filter Screen	125 µm
Hysteresis	< 3,5% at PA (PA = 20, 25, 32 bar)
Contamination Level	Min Filtration: 20/18/15 according to ISO 4406
Fluid	Mineral oil according to DIN 51524
Temperature Range Fluid	-20 to +80°C

Valve specification according to Thomas LHP-31

Electrical Data

Voltage	12 V	24 V
Current	1500 mA	750 mA
Resistance	5,3 Ω ± 5%	21,2 Ω ± 5%
Type of Control	Current Control PWM 100 Hz Recommended	
Protection Class	up to IP6K6 / IPX7 / IPX9K	

THOMAS MAGNETE GmbH

Ex – PPCD04/ec/20/12/C/05 13.02.2015
TÜV13 ATEX 7418 X IECEx TUR 13.0015 X
Ex I M2 Ex mb I Mb
Ex II 2G Ex mb IIC T4 Gb
Ex II 2D Ex mb IIIC T130 ° C Db
CE 0035

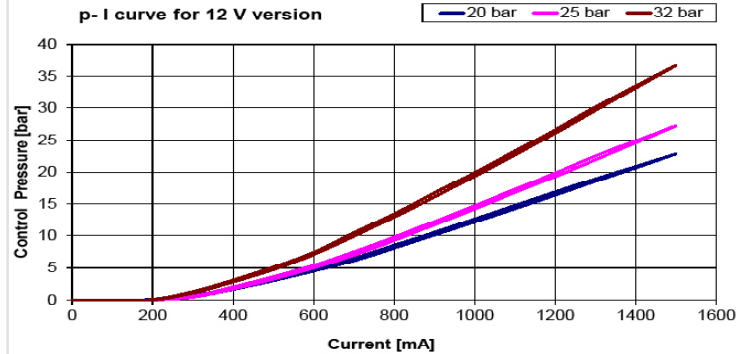
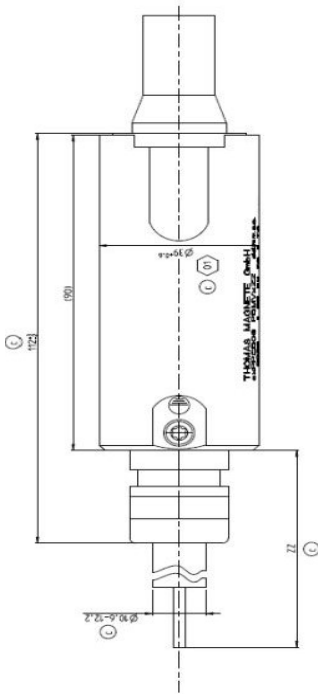
ex-Proportional Pressure Control Direct ATEX/IECEX-PPCD 04

Current vs. Pressure

Less than 2% Hysteresis

Dimensions

(All dimensions are in mm)

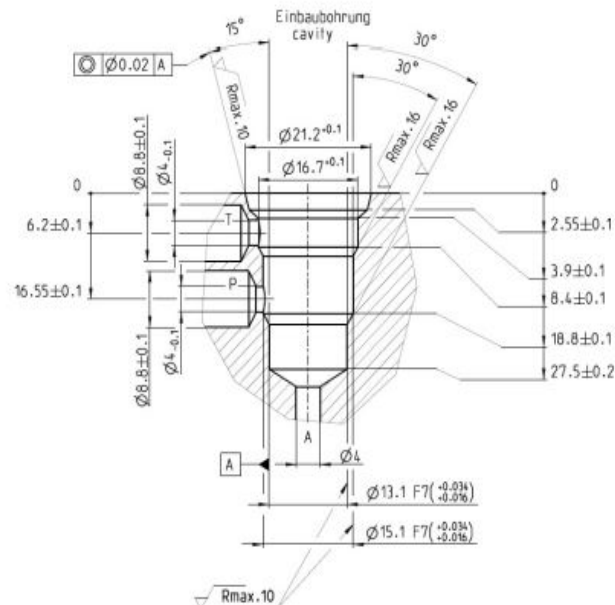
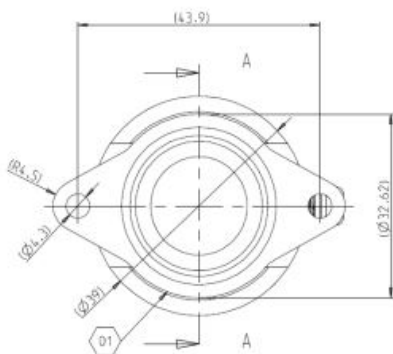


Cavity Dimensions

(All dimensions are in mm)

Dimensions

(All dimensions are in mm)



Thomas Magnete GmbH
San Fernando 35, 57562 Herdorf
Germany

Tel . +49 (0) 2744-929 0
Fax +49 (0) 2744 929 290

www.thomas-magnete.com
info@thomas-magnete.com



The presented information is based on current knowledge and provides only non-binding information to the customer. Any liability in connection with this information is excluded . It is the responsibility of the customer to determine the suitability and appropriateness of the product for his intended purpose. We reserve the right to change the product with regard to technical progress and new developments.