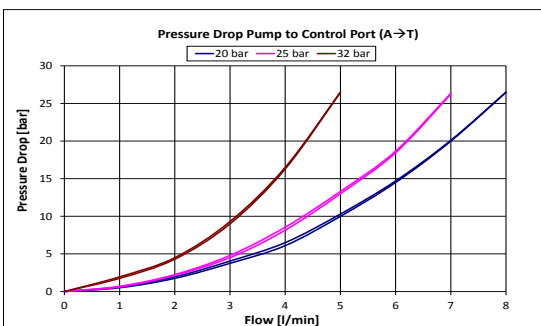
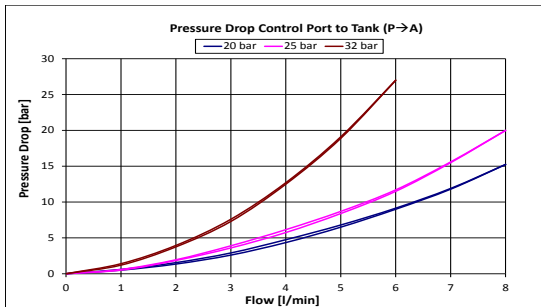


Flow Characteristics



Electrohydraulic Actuator

Model Code

EHA	-04	-001	-H08	-25	-24	-H	-C	-0	-1	
Function	Valve Size	Special Version Upon Request	Sensoric	Pressure level of Pilot valves	Voltage: 12V, 24V	Seal Material: H HNBR, F FKM	Control Signal C: CAN; A: analog	Add. Position Signal 0: not available; 1: available	Additional Analog Inputs Number of Inputs	Additional Analog Inputs Number of Inputs

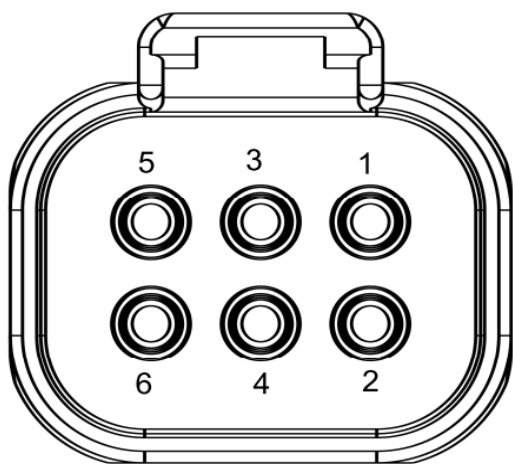
Hydraulic Data

Max Pressure (P, T)	pP = 50 bar, pT = 30 bar
Leakage per valve (Pp = 50 bar) @ 32 cST	P → A: 50 ml/min A → T: 50 ml/min
Step Response @ 32 cST	On: < 50 ms Off: < 50 ms
Contamination Level	Min Filtration: 20/18/15 According to ISO 4406
Fluid	Mineral Oil According to DIN 51524
Temperature Range Fluid	-30 to +90°C
Protection class	up to IP6K6 / IPX9K

Electrical Data

Voltage	12V	24V
Connector	Deutsch Connector DT14-6P	
Current Consumption (idle)	24 mA (12V) 20 mA (24V)	
EMC Immunity	1) acc. to ISO 11452-2:2004 100 V/m; 20-2000 MHz 2) acc. to ISO 11452-4:2004 150 mA; 1-200 MHz	
EMC Transient Conduction Test	acc. To ISO 7637-2:2004 Tests 1,2a,2b,3a,3b,3,5 Test Level: IV except for 24V systems and Test No. 5 Test Level: III	
Protection class	up to IP6K6 / IPX9K	

Sensoric		Sensoric			
		Hall Effect			
possible range		± 8 mm		± 11 mm	
Redundant Sensoric		yes		no	
Resolution		0.025 mm			
Accuracy at calibration temperature	Range	± 3 mm	± 8 mm	± 5 mm	± 11 mm
	Accuracy	1.0%	2.5 %	1.0%	2.0%
Accuracy over the whole temperature range	Range	± 3 mm	± 8 mm	± 5 mm	± 11 mm
	Accuracy	2.0%	4.0%	1.5%	2.5%

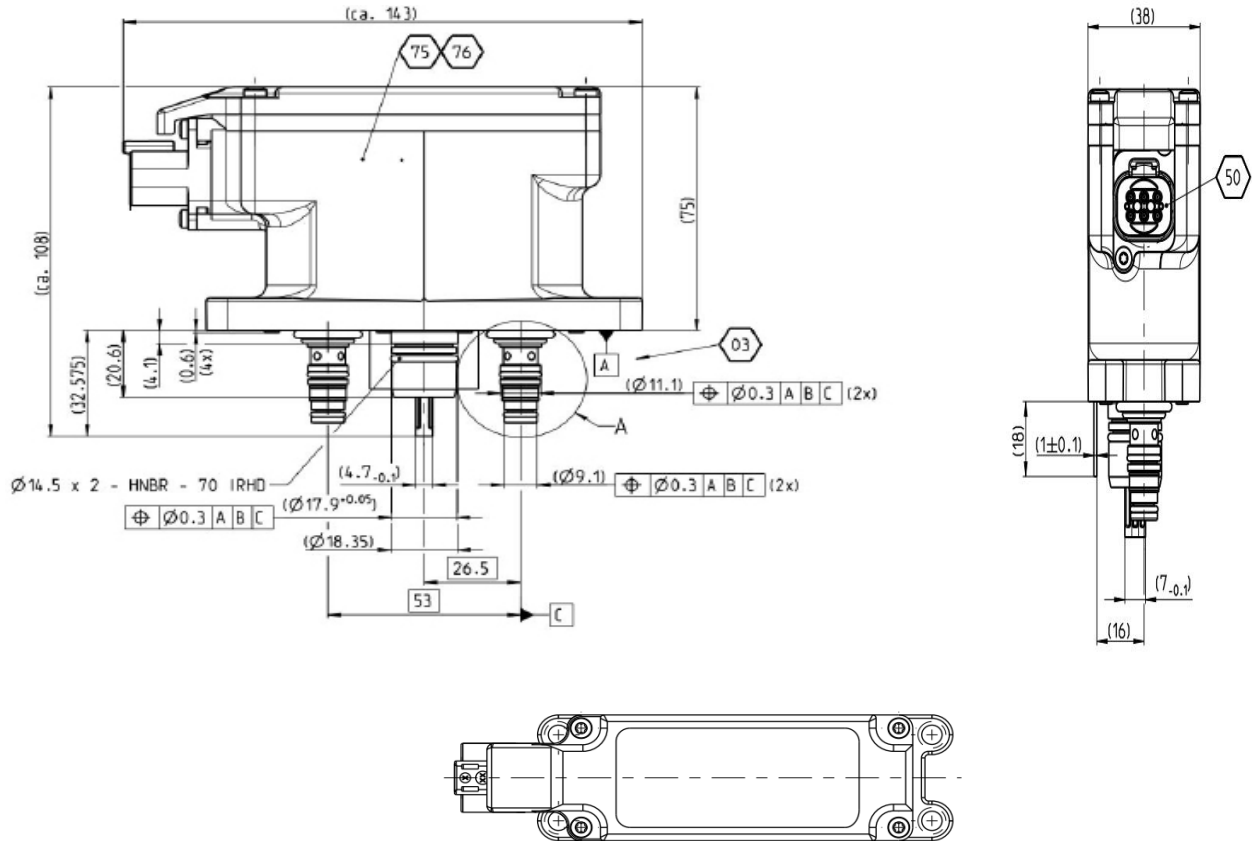


Pin Assignment

Pin	Function
1	U Bat (Battery Voltage)
2	CAN_L CAN Signal (dominant low)
3	Aout (Analog Output Signal) / Ain (Analog Input Signal)
4	Agnd (Analog Output Ground)
5	GND (Battery Ground)

Dimensions

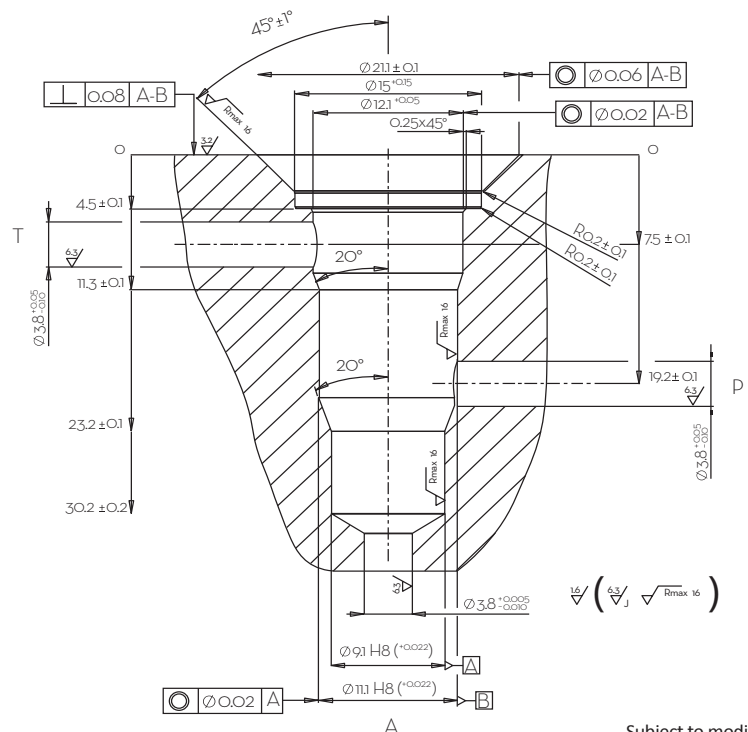
(All dimensions in mm)



Cavity Dimensions

(All dimensions in mm)

Cavity According Specification: TC06025



Thomas Magnete GmbH
San Fernando 35
57562 Herdorf, Germany

Tel . +49 (0) 2744 929 0
Fax +49 (0) 2744 929 290

www.thomas-magnete.com
info@thomas-magnete.com



The presented information is based on current knowledge and provides only non-binding information to the customer. Any liability in connection with this information is excluded. It is the responsibility of the customer to determine the suitability and appropriateness of the product for his intended purpose. We reserve the right to change the product with regard to technical progress and new developments.