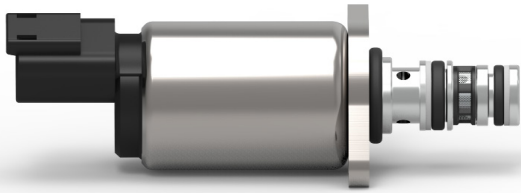
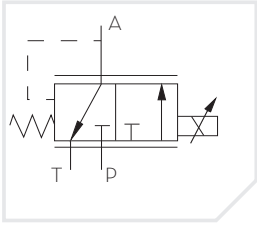


High Pressure Proportional Pressure Reducing Valve PPCD04-HTHPPPRV

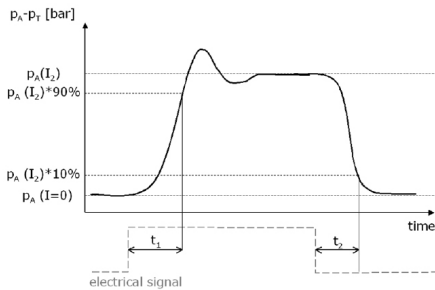


Model Code

PPCD 04	-003	-g	-d	-20	-12	-J	-H	-0
Valve Style	Solenoid Type	Cavity Type	Control Pressure Range: 20 bar: 32 bar	Voltage: 12V; 24V	Connector: J AMP Jr Power Timer	Seal Material: N NBR; H HNBR; F FKM	Manual Override: 0 without; M with (only with connector type J)	Special Version up on request

Step Response

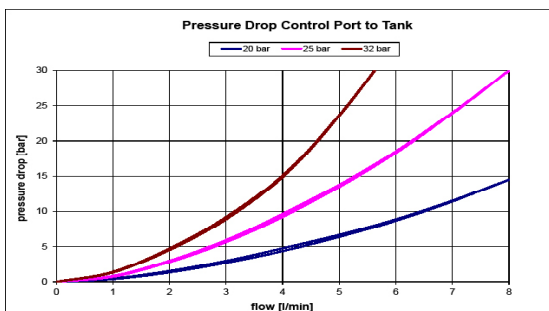
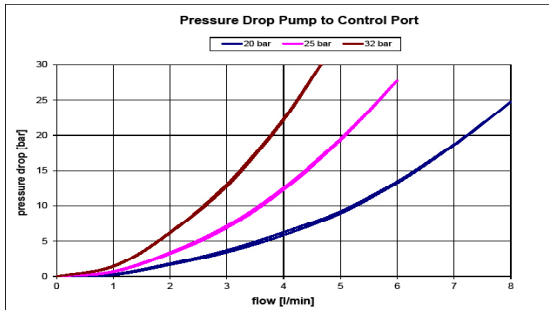
(50°C Oil Temperature) $t_1, t_2 < 50$ ms



Hydraulic Data

Max Pressure (P , T)	pP = 350 bar, pT = 210 bar (statisch)
Hysteresis (w/ PWM)	< 0.4 bar (pA=20) < 0.5 bar (pA=25) < 0.7 bar (pA=35)
Filter Screen	125 µm
Contamination Level	Min Filtration: 20/18/15 According to ISO 4406
Fluid	Mineral Oil According to DIN 51524
Temperature Range Fluid	-40 to +105°C
Valve Specifications According to Thomas LHP-24	

Flow Characteristics



Electrical Data

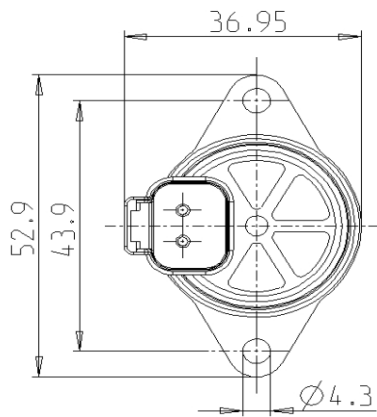
Norm. Voltage	12V	24V
Current	1500 mA	750 mA
Resistance	5.3 Ohm ± 5%	21.2 Ohm ± 5%
Type of Control	Current Control PWM 100 Hz Recommended	
Connector	AMP Junior Timer Deutsch Connector DT04-2P	
Protection class	Up to IP6K6 / IPX9K	

High Pressure Proportional Pressure Reducing Valve PPCD04-HTHPPPRV

Current vs. Pressure
Less than 2% Hysterisis

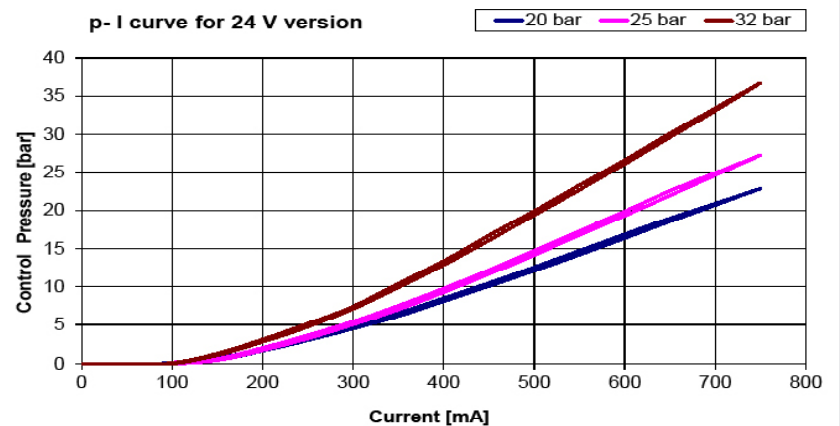
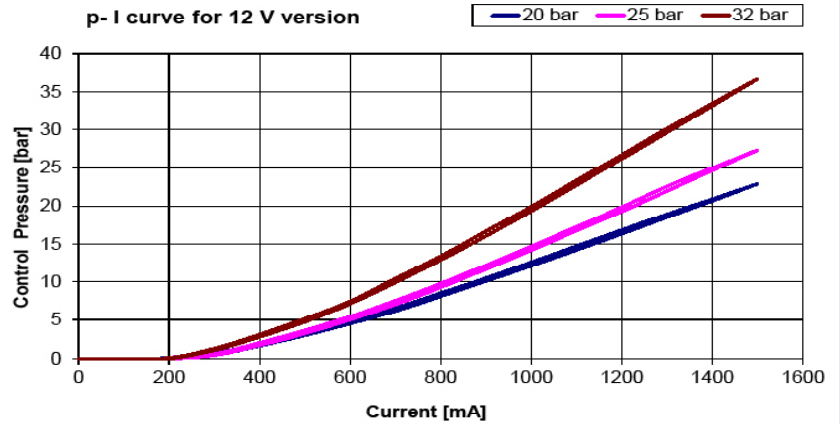
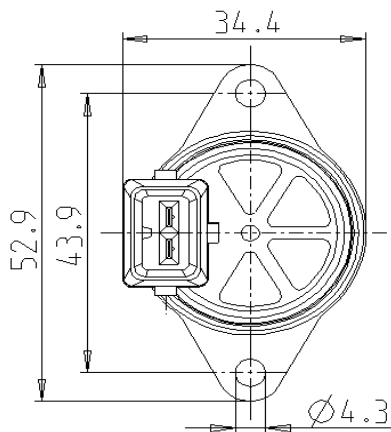
Dimensions with Deutsch Connector

(All dimensions in mm)



Dimensions with AMP Jr. Connector

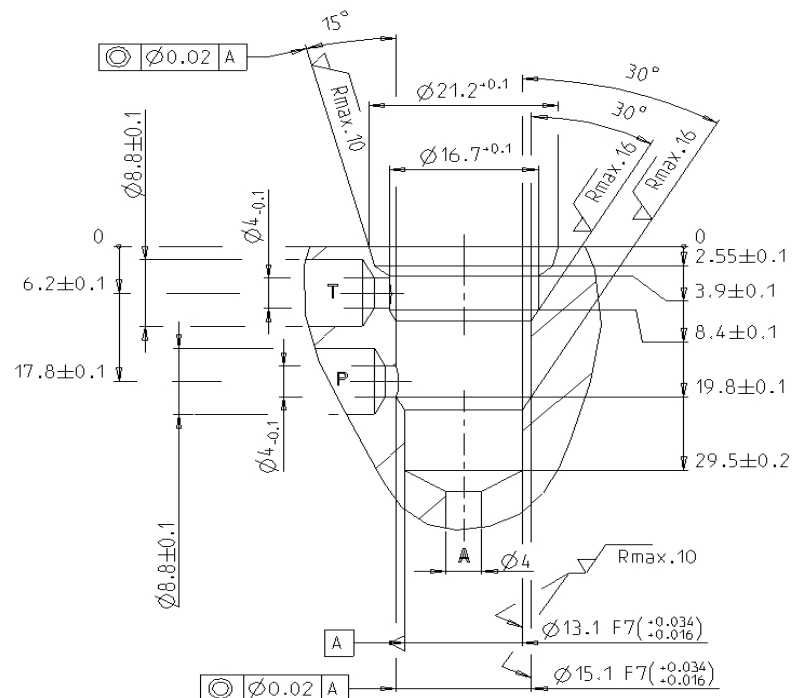
(All dimensions in mm)



Cavity Dimensions

(All dimensions in mm)

Cavity According Specification: TC06024



Thomas Magnete GmbH
San Fernando 35, 57562 Herdorf
Germany

Tel . +49 (0) 2744 929 0
Fax +49 (0) 2744 929 290

www.thomas-magnete.com
info@thomas-magnete.com



The presented information is based on current knowledge and provides only non-binding information to the customer. Any liability in connection with this information is excluded. It is the responsibility of the customer to determine the suitability and appropriateness of the product for his intended purpose. We reserve the right to change the product with regard to technical progress and new developments.