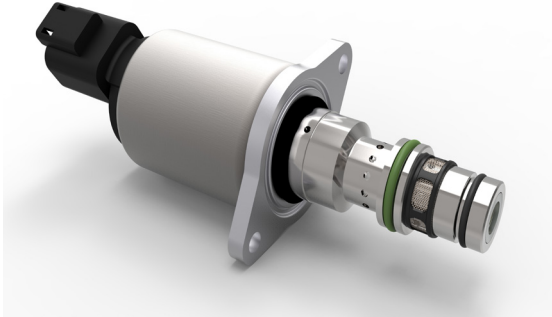
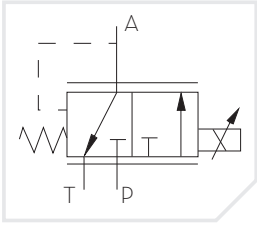


# Medium Flow Proportional Pressure Reducing Valve PPCD06-MFPPRV

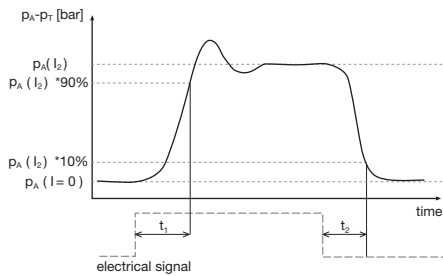


## Model Code

PPCD 06	-001	-b	-f	-32	-12	-J	-H	-0
Valve Style	Special Version up on request	Solenoid Type	Cavity Type	Control Pressure Range: 30 bar; 8-45 bar is possible	Voltage: 12V; 24V	Connector: J AMP Jr Power Timer	Seal Material: D Deutch DT04-2P; H HNBR; F FKM	Manual Override: 0 without; M with (only with connector type J)

## Step Response

(50°C Oil Temperature)  $t_1, t_2 < 50$  ms

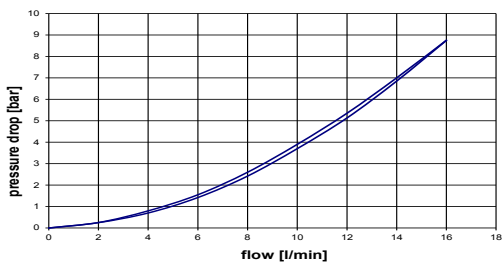


## Hydraulic Data

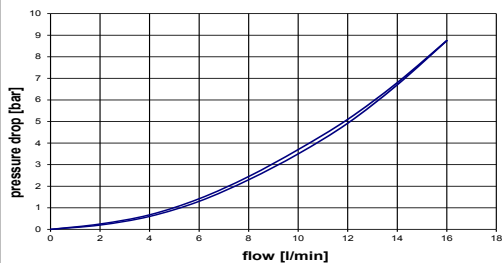
Max Pressure (P, T)	pP = 50 bar, pT = 30 bar
Hysteresis (w/ PWM)	< 0.7 bar (pA=30 bar)
Filter Screen	125 µm
Contamination Level	Min Filtration: 20/18/15 According to ISO 4406
Fluid	Mineral Oil According to DIN 51524
Temperature Range Fluid	-40 to +105°C
Valve Specifications According to Thomas LHP-40	

## Flow Characteristics

Pressure Drop Pump to Control Port (P → A)



Pressure Drop Control Port to Tank (A → T)



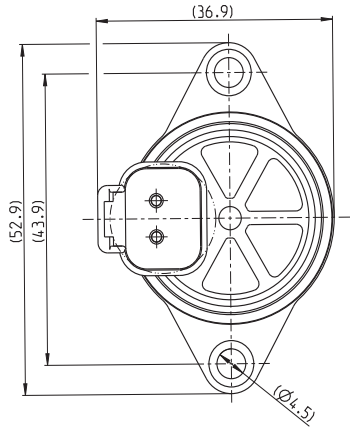
## Electrical Data

Voltage	12V	24V
Current	1500 mA	750 mA
Resistance	5.3 Ω ± 5%	21.2 Ω ± 5%
Type of Control	Current Control PWM 100 Hz Recommended	
Connector	AMP Junior Timer Deutch Connector DT04-2P	
Protection Class	Up to IP6K6 / IPX9K	

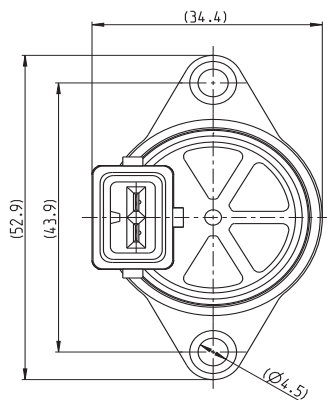
# Medium Flow Proportional Pressure Reducing Valve PPCD06-MFPPRV

## Current vs. Pressure Less than 2% Hysterisis

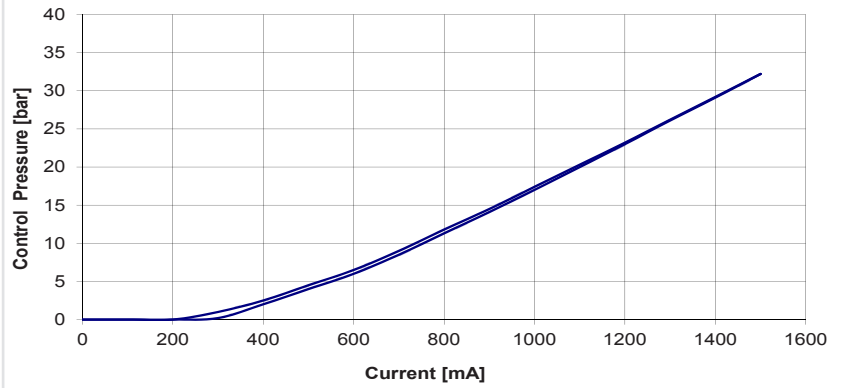
### Dimensions with Deutsch Connector (All dimensions in mm)



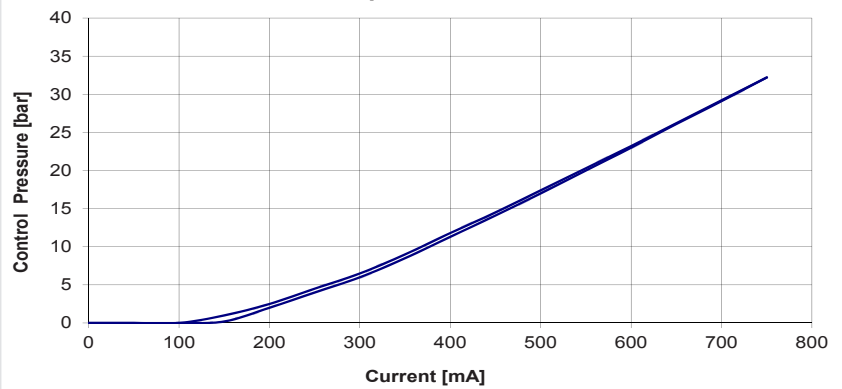
### Dimensions with AMP Jr. Connector (All dimensions in mm)



p- I curve, 12 V

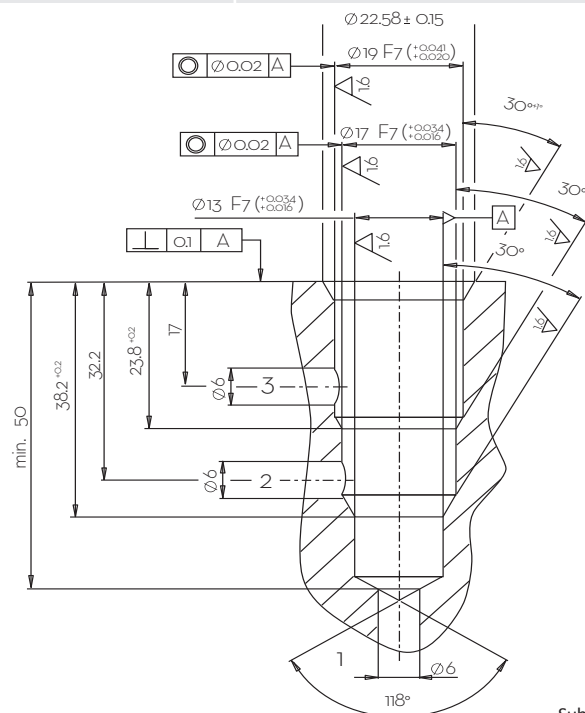


p- I curve, 24 V



### Cavity Dimensions (All dimensions in mm)

Cavity According Specification: TC06013



Thomas Magnete GmbH  
San Fernando 35, 57562 Herdorf  
Germany

Tel . +49 (0) 2744 929 0  
Fax +49 (0) 2744 929 290

www.thomas-magnete.com  
info@thomas-magnete.com



The presented information is based on current knowledge and provides only non-binding information to the customer. Any liability in connection with this information is excluded. It is the responsibility of the customer to determine the suitability and appropriateness of the product for his intended purpose. We reserve the right to change the product with regard to technical progress and new developments.