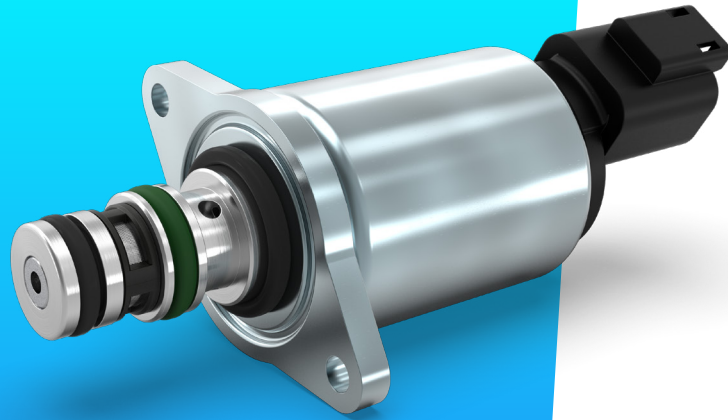


Proportional Pressure Control Valve PPCD04 – PPRV



Proportional
valves

Directional
valves

Smart
products

Special
designs

Product classification

| Name | Max volume flow @ 6 bar dp | |
|----------------|----------------------------|-------------------|
| PPCD 03 | 1,25 l/min | Direct controlled |
| PPCD 04 | 2,5–5 l/min | |
| PPCD 05 | 10 l/min | |
| PPCD 06 | 15 l/min | |
| PPCD 08 | 20 l/min | |
| PPCD 09 | 30 l/min | Pilot operated |
| PPCP 09 | 35 l/min | |
| PPCP 13 | 72 l/min | |



Hydraulic Data

| | |
|-------------------------|---|
| Max pressure pump | $P_p = 50$ bar |
| Max pressure tank | $P_T = 30$ bar |
| Max pressure work | $P_A = 20, 25$ or 32 bar |
| Hysteresis | < 3 % of the nominal pressure at 100 Hz PWM signal |
| Contamination level | Min Filtration: 20/18/15 According to ISO 4406 |
| Fluid | Mineral Oil According to DIN 51524 |
| Temperature range fluid | -30°C to +105°C |
| Leakage (internal)* | < 0,1 l/min (de-energized) < 0,5 l/min (energized) |
| Filterscreen size | 125 μ m (P-Port) |

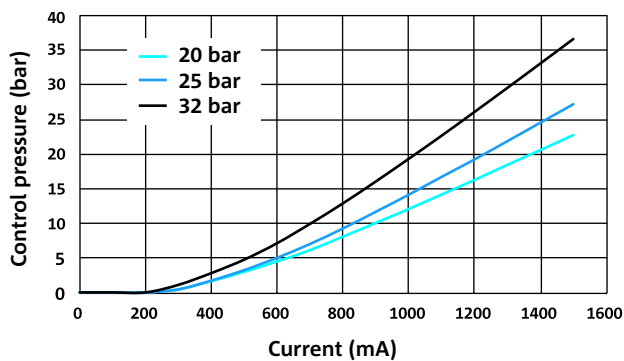
Electrical Data

| | | |
|------------------|--|-----------------------|
| Voltage | 12 V | 24 V |
| Max current | 1500 mA | 750 mA |
| Resistance | 5,3 $\Omega \pm 5\%$ | 21,2 $\Omega \pm 5\%$ |
| Type of control | Current control PWM 100 Hz recommended | |
| Connector | AMP Junior timer Deutsch Connector DT04-2P 90° Deutsch Connector DT04-2P | |
| Protection class | up to IP6K6 / IPX9K | |
| Switching time | $t_{on} < 50$ ms (pA = 0% to 90%) $t_{off} < 50$ ms (pA = 100% to 10%) | |

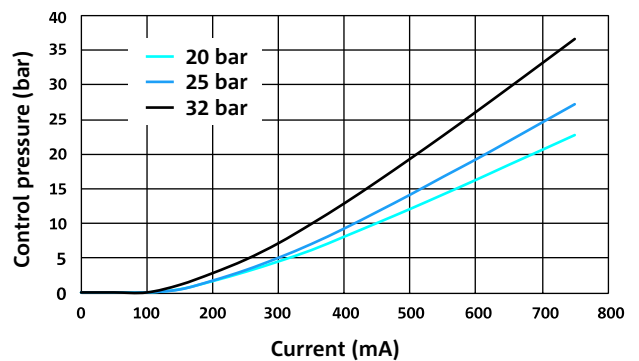
* The reported data are measured @ $P_p=35$ bar (20 and 25 bar version and 40 bar (32 bar version) an oil viscosity of 32 cSt

Current vs. Pressure (average characteristic)

P-I CURVE (12 V)



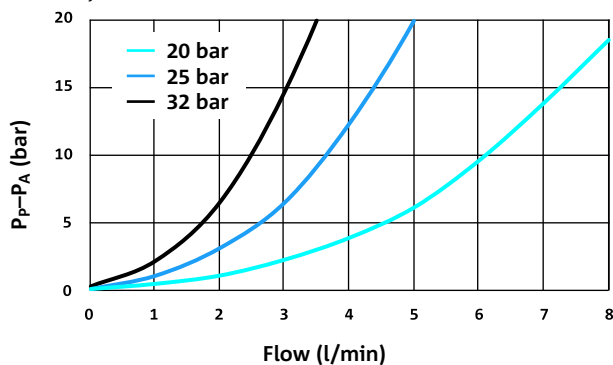
P-I CURVE (24 V)



Flow characteristics (Average characteristic)

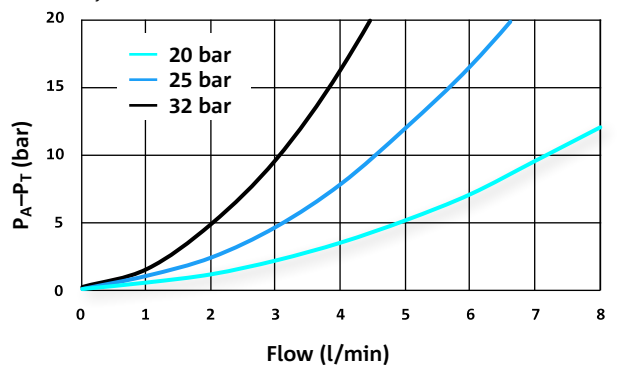
PRESSURE DROP PUMP TO CONTROL PORT (P→A)

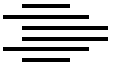
Valve only



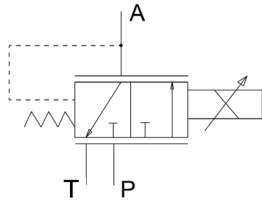
PRESSURE DROP CONTROL PORT TO TANK (A→T)

Valve only





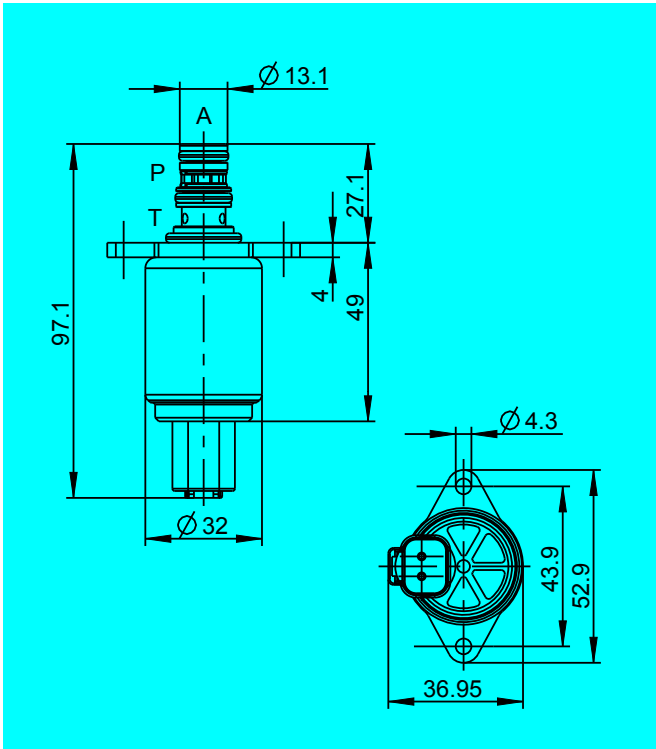
Hydraulic schematic



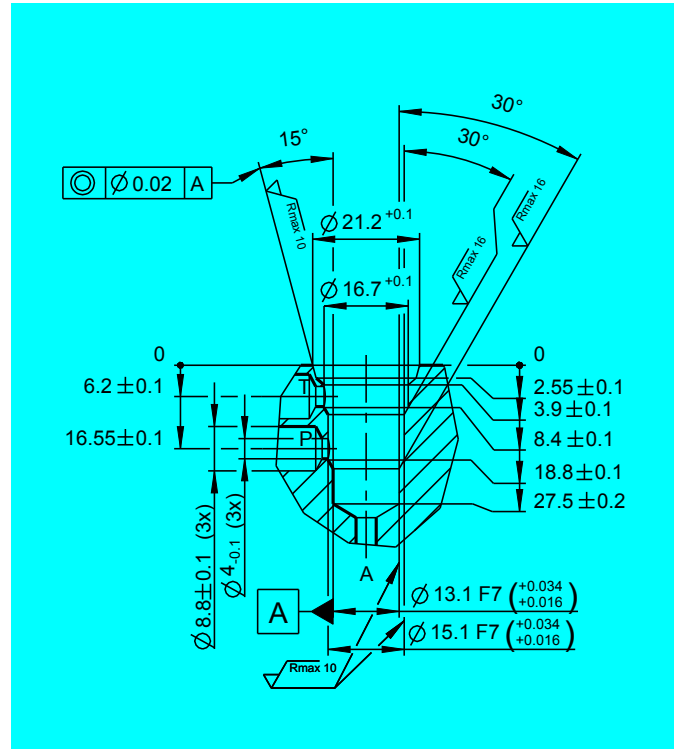
Additional data

| | |
|--|---|
| Weight | approx. 230 g |
| Mounting position (recommended) | any |
| MTTF_d-value | 150 years |
| Reference | Valve specifications according to Thomas LHP 31 |

Dimensions with Deutsch Connector* (All dimensions in mm)



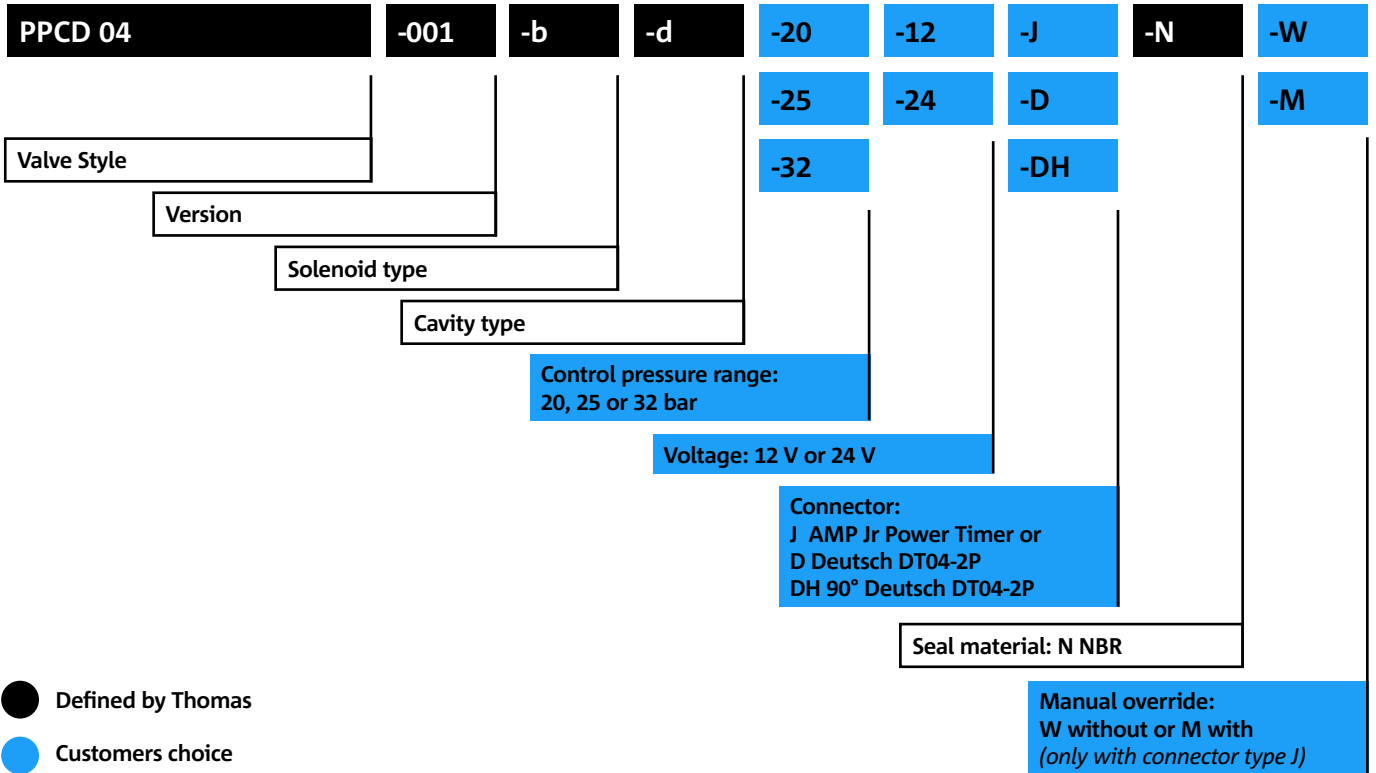
Cavity Dimensions (All dimensions in mm)



*Dimensions for AMP Jr. Connector available on request.



Model code



CONTACT DETAILS



Michael Lutz

Thomas Magnete GmbH

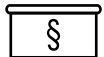
Innomotion Park 3
57562 Herdorf, Germany

Tel. +49 2744 929-220

michael.lutz@thomas-magnete.com
www.thomas-group.com



DISCLAIMER



The presented information is based on current knowledge and provides only non-binding information to the customer. Any liability in connection with this information is excluded. It is the responsibility of the customer to determine the suitability and appropriateness of the product for his intended purpose. We reserve the right to change the product with regard to technical progress and new developments.