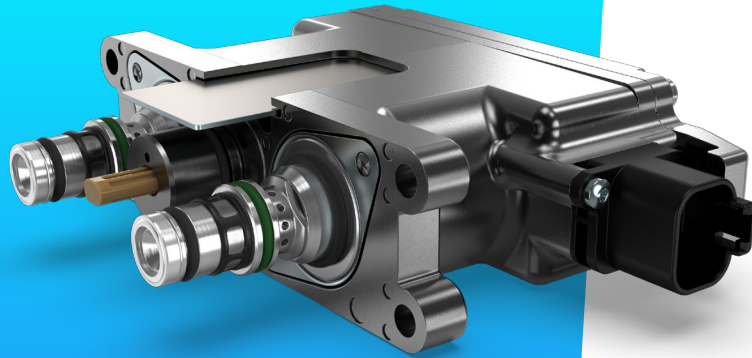


# Electrohydraulic Actuator [EHA 2.0 with PPCD 05]



Proportional valves

Directional valves

**Smart products**

Special designs

## Product classification

Name	Max volume flow @ 6 bar dp
EHA	2,5–5 l/min based on PPCD 04 IPH
	2,5–5 l/min based on PPCD 04
	10 l/min based on PPCD 05
EMA	



## Hydraulic Data

Max pressure pump	$P_p = 50 \text{ bar}$
Max pressure tank	$P_T = 30 \text{ bar}$
Max pressure work	$P_A = 30 \text{ bar}$
Contamination level	Min Filtration: 20/18/15 According to ISO 4406
Fluid	Mineral Oil According to DIN 51524
Temperature range	-30°C to +90°C (ambient) -30°C to +90°C (fluid)
Leakage (internal, each valve)*	< 0,03 l/min (de-energized) < 0,25 l/min (energized)
Filterscreen size	140 $\mu\text{m}$ (P-Port)
Filterscreen size	320 $\mu\text{m}$ (P-Port)

\* The reported data are measured @  $P_p=35 \text{ bar}$  and an oil viscosity of 32 cSt

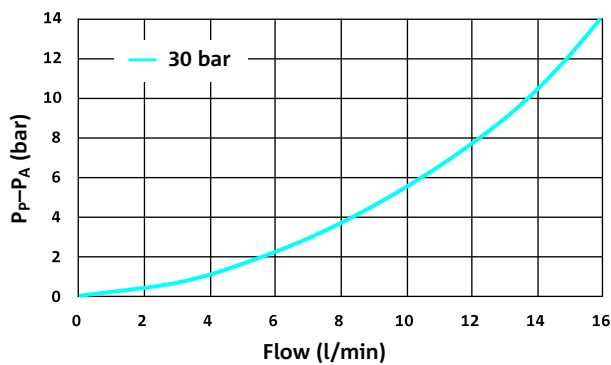
## Electrical Data

Voltage	12 V	24 V
Voltage range min/max	9/16 [V]	16/32 [V]
Short term overvoltage	36 V	
Max idle power	1 W	1 W
Max power consumption	25 W	
EMC Immunity	1) acc to ISO 11452-2:2019,2015 100 V/m; 80-2500 Mhz 2) acc. To ISO 11452-4:2011 150 mA; 0,5-200 Mhz	
EMC Transient Conduction Test	acc. to ISO 7637-2:2011 Tests 1, 2a, 2b, 3a, 3b, 3, 5 Test level: IV except for 24 V systems + test No. 5 Test level: III	
Connector	Deutsch Connector DT14-6P	
Protection class	up to IP6K6 / IPX9K	

## Flow characteristics (Average characteristic)

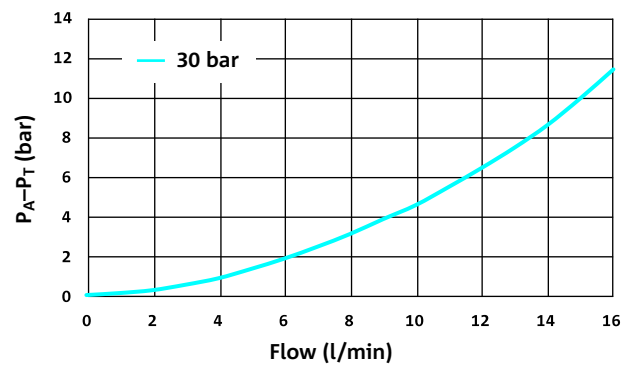
PRESSURE DROP PUMP TO CONTROL PORT (P→A)

Valve only



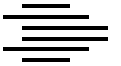
PRESSURE DROP CONTROL PORT TO TANK (A→T)

Valve only



## Safety functions The EHA provides three safety functions in compliance of DIN EN ISO 13849

	SAFETY FUNCTION 1	SAFETY FUNCTION 2	DIAGNOSTIC FUNCTION 3
	Current less state	Pressure less state	Rated customer diagnostic function - EHA diag-message
Description	Whenever the signal processing of setpoints along the rated safety-chain (CAN ... valve-coil) is disturbed, the valves enter the current less state, which is defined as the safe state.	Whenever the signal processing of setpoints along the rated safety-chain (CAN ... pilot-pressure) is disturbed, the valves enter the pressure less state, which is defined as the safe state.	The current position of the valve slider (accuracy $\pm 4\%$ ) is transmitted via the CAN bus interface cyclically (user configurable intervals of 10ms, 30ms and 100ms) accompanied by an error code in case one has occurred.
MTTFd	~ 100 years	~ 47 years	~ 100 years
Diagnostic coverage	~ 95 %	66 %	~ 95 %
Performance Level	D	C	D

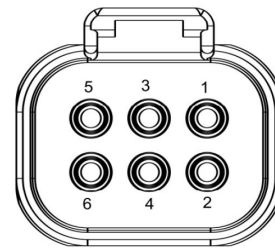


## Sensoric accuracy

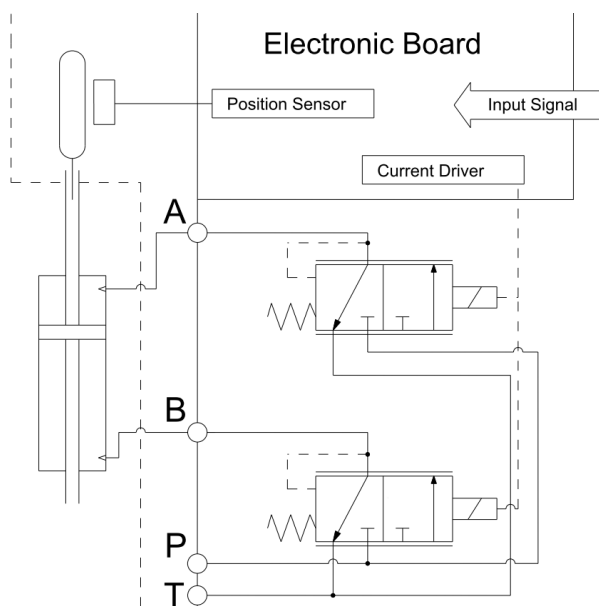
SENSOR TYPE	HALL EFFECT
Range	± 11 mm
Max. sensing deviation	< 90 µm
Max. position offset	30% (of max. stroke)

## Pin assignment

Pin number	Function
1	U Bat (battery voltage)
2	CAN_L CAN Signal (dominant low)
3	"Ain (analog input signal)" (Valve A for electrical override)
4	Agnd (analog output ground) (Valve B for electrical override)
5	GND (battery ground)
6	CAN_H CAN Signal (dominant high)

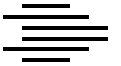


## Hydraulic schematic



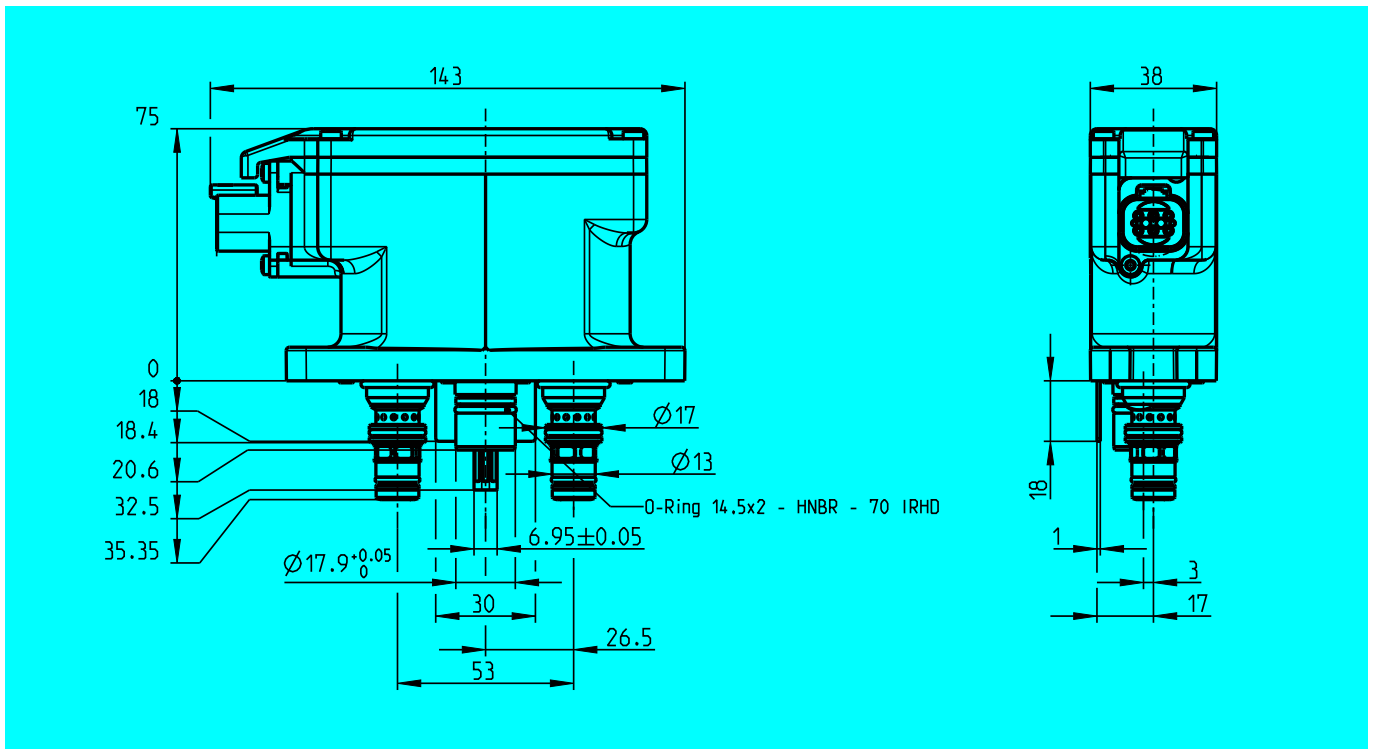
## Additional data

<b>Weight</b>	approx. 670 g
<b>Mounting position (recommended)</b>	any
<b>Reference</b>	Valve specifications according to Thomas LHP 98 EHA TES



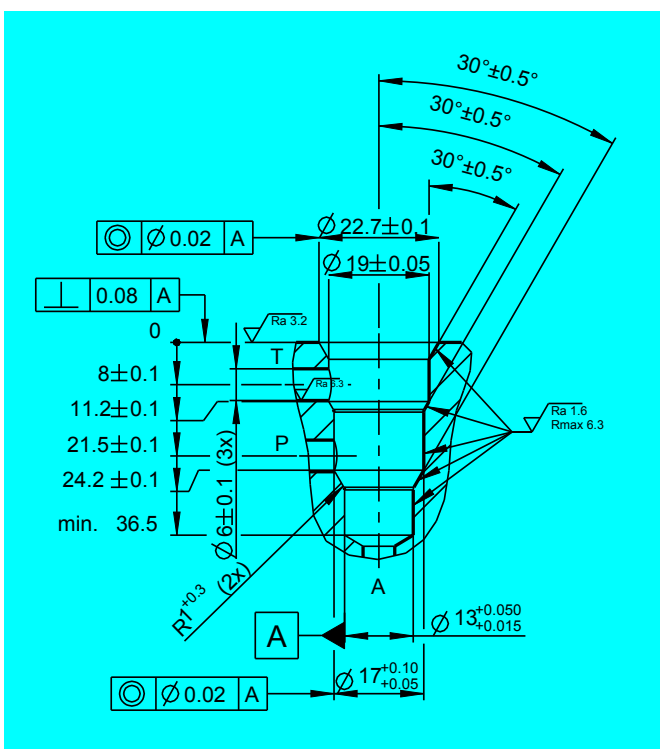
## Dimensions with Deutsch Connector and PPCD05

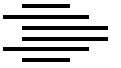
(All dimensions in mm)



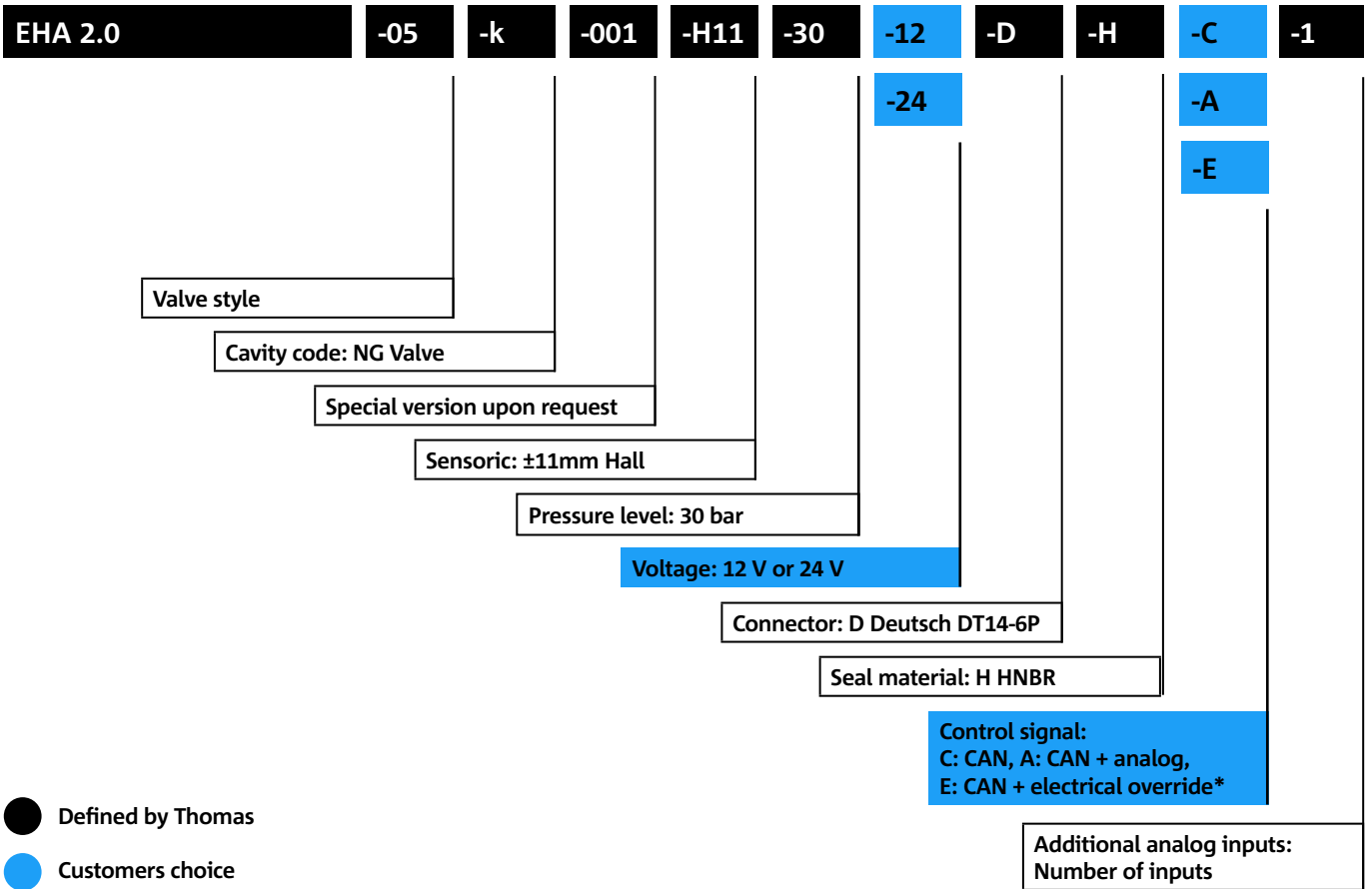
## Cavity Dimensions PPCD05

(All dimensions in mm)





## Model code



● Defined by Thomas

● Customers choice

\* 24 V variants

### CONTACT DETAILS



**Michael Lutz**

Thomas Magnete GmbH

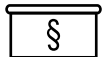
Innomotion Park 3  
57562 Herdorf, Germany

Tel. +49 2744 929-220

michael.lutz@thomas-magnete.com  
www.thomas-group.com



### DISCLAIMER



The presented information is based on current knowledge and provides only non-binding information to the customer. Any liability in connection with this information is excluded. It is the responsibility of the customer to determine the suitability and appropriateness of the product for his intended purpose. We reserve the right to change the product with regard to technical progress and new developments.